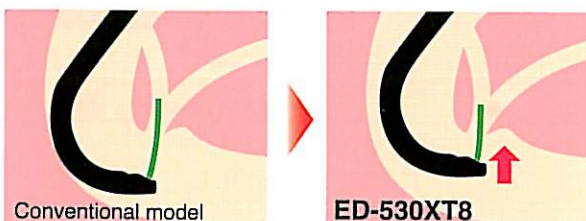


ED-530XT / XT8

Improved operability to approach to the papilla



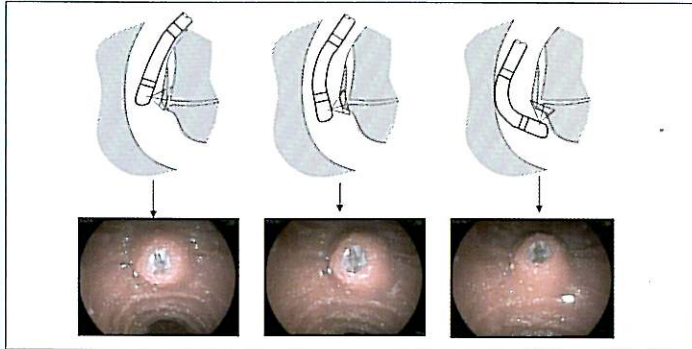
Newly designed distal end enables a close approach to the papilla.



Improved Operability

Easy to catch the papilla

The objective lens arrangement and bending performance have been properly arranged to catch the papilla easily from various endoscope positions.



Easy operability of the insertion portion

The material and stiffness of the insertion portion have been improved for easier stomach stretching and insertion capability.



Improved insertion capability of ERCP accessories into the papilla

Newly designed forceps elevator has been applied to enhance accessory control more precisely and securely, facilitating easier ERCP treatment.

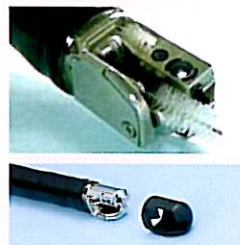


Improved Cleaning and Disinfection

Removable distal end cap^{**}

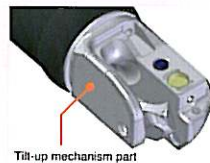
The ED-530XT8 is equipped with a disposable distal end cap. It enables brushing of all channels and helps to improve the hygienic environment.

(^{**}ED-530XT8 only.)



Covered tilt-up mechanism

A covered tilt-up mechanism of the forceps elevator maintains the elevator wire clean without any additional cleaning procedure.



Excellent Image Quality

Clear images

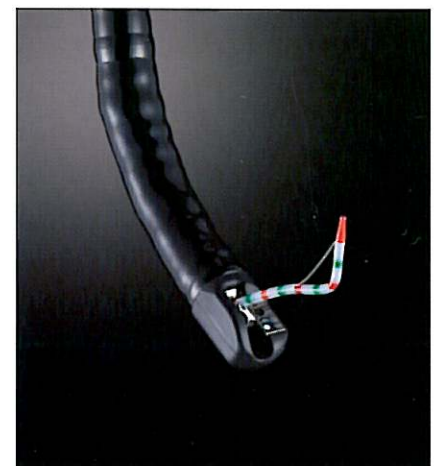
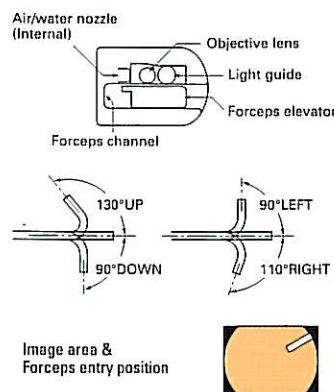
FUJIFILM's super CCD, which has been exclusively developed for the endoscope, is built-in, providing a clear images.



Specification

ED-530XT/XT8	
Viewing direction	98°(8°rearward)
Field of view	100°
Observation range	4 - 60mm
Distal end diameter	13.1mm
Flexible portion diameter	11.5mm
Bending capability	UP 130° / DOWN 90° RIGHT 110° / LEFT 90°
Working length	1,250mm
Total length	1,550mm
Forceps channel diameter	4.2mm

Generic Name : Flexible video duodenoscope



Specifications are subject to change without notice.

FUJIFILM

FUJIFILM Corporation

26-30, NISHIAZABU 2-CHOME, MINATO-KU, TOKYO 106-8620, JAPAN
<http://www.fujifilm.com/products/medical/endoscopy/contact/>