



# Product Catalogue

Hospital medical furniture

A leading British manufacturer of examination couches and medical furniture, supplying to the NHS and other healthcare markets.



Find our products on the NHS Supply Chain Catalogue

Medi-Plinth Equipment Ltd is a leading UK manufacturer and supplier of medical furniture, with over three decades of experience designing products that support healthcare professionals across a wide range of clinical environments. Trusted by the NHS and private healthcare providers alike, Medi-Plinth equipment is designed and built in Britain to the highest regulatory standards, ensuring quality, reliability and long-term value. Every product is manufactured under ISO 13485 certification and carries CE and UKCA marking, with robust warranties that reflect the durability and performance our customers expect.

Shuttleworth Medical operates as a brand within Medi-Plinth, representing our specialist range of hospital and clinical furniture. With more than 65 years of heritage, Shuttleworth products are widely recognised for their practicality and reliability, from ward furniture and medical trolleys to storage systems and over-bed solutions. Each design is developed and manufactured in our facilities with close input from NHS professionals, ensuring every item is suited to the realities of modern clinical practice.

Medi-Plinth is also proud to be the official UK distributor for Rebotec, a German manufacturer of world-class mobility and rehabilitation equipment. Trading as Rebotec UK, we supply an extensive range of shower chairs, commodes, rollators and hoists, enabling hospitals, care providers and community settings to source high-quality European-engineered products with the confidence of local support and service. This unique combination of global expertise and local manufacturing allows us to deliver an unmatched breadth of products, from essential clinical furniture to advanced mobility aids. Together, these strengths make Medi-Plinth a reliable, single-source partner for healthcare providers seeking consistency, compliance, and value.



Our partnership with the NHS runs deep, with Medi-Plinth, Shuttleworth and Rebotec UK products all available through the NHS Supply Chain. This ensures procurement teams benefit from streamlined ordering, nationally agreed pricing, and compliance with all relevant medical device regulations. By working closely with NHS trusts and healthcare professionals, we continue to innovate, adapting our products to meet evolving clinical needs while maintaining a focus on safety, hygiene and patient comfort.

Through our combined brands, Medi-Plinth provides one of the most comprehensive ranges of medical furniture and mobility equipment available in the UK. From consultation rooms and specialist treatment areas to hospital wards and long-stay care environments, we remain committed to supporting the delivery of safe, effective and efficient care across the healthcare system.

Every product is created with sustainability in mind, using materials and processes that reduce environmental impact while meeting the strict quality standards expected by the NHS. Medi-Plinth remains committed to supporting the NHS and wider healthcare community with products that prioritise patient safety, clinical efficiency, and long-term value. By uniting our Medi-Plinth, Shuttleworth, and Rebotec UK ranges under one trusted organisation, we provide healthcare providers with a dependable partner who understands their challenges and delivers solutions designed for real-world use. Our focus on quality, service, and innovation ensures that every purchase represents not just a product, but an investment in better care.

# Contents

## Plinths and Treatment Chairs

- 04 2 & 3 Section Plinths
- 06 Changing Tables
- 08 Drop End Plinths
- 10 Multi-Purpose Plinths
- 12 Phlebotomy Chairs
- 14 Treatment/Plaster Chairs
- 16 Podiatry Chairs
- 18 Gynaecology Plinths
- 20 Extra-wide Plinths
- 24 Echocardiography Plinths
- 26 Outpatient Plinths
- 28 Day Care Plinths
- 30 Medical Chairs
- 34 Physiotherapy Plinths
- 40 Imaging Plinths
- 44 Fixed Height Plinths

## Maternity

- 48 Optima Birthing Beds
- 50 Baby Crib
- 51 Neonatal Chair
- 52 Paediatric Cot

## Hospital Beds and Stretchers

- 56 Care Sure Beds
- 60 Emergo Patient Trolley
- 62 Motion Stretcher Trolleys

## Ward Furniture

- 66 Bins & Sackholders
- 68 Ward Screens & IV Poles
- 70 Easy Clean Overbed Tables
- 71 Easy Clean Bedside Lockers
- 72 Flexline Phlebotomy Cart
- 73 Flexline Anaesthesia Cart
- 74 Lifeline Emergency Carts
- 75 Starsys Anaesthesia Cart
- 76 Starsys Catheter Storage Cabinet
- 77 Super Erecta Slanted Shelving
- 80 Medical Storage Trolleys
- 86 Medical Record Trolleys
- 87 SS Dressing Trolleys
- 89 General Purpose Trolleys
- 90 Linen Trolleys
- 91 Ward Drug Trolleys
- 92 Ward Case Note Trolleys
- 93 Chart Board Trolleys
- 94 Chart & Cylinder Holders
- 95 Dispensers
- 96 Patient & Controlled Drug Cabinets
- 98 Drug Storage Cabinets
- 99 Haz Substance Cabinets
- 100 Key Cabinets
- 101 Storage Lockers

## Dialysis & Recovery

- 104 Solace Chair
- 106 Capre MC Medical Chair

## Seating Solutions

- 110 Stools & Chairs
- 112 Soft Seating
- 117 Beam Seating
- 118 Breeze Patient Chair
- 120 Geriatric Recliner Chair

## Patient Handling

- 124 Static Commode Chairs
- 125 Mobile Commode Chairs
- 126 Tilting Shower Commodes
- 128 Lifting Hoists
- 129 Shower Chairs & Stools
- 130 Children's Commodes
- 131 Children's Rollators
- 132 Rollators
- 133 Crutches

## Warranty

- 134 Warranty Information

## Cleaning Instructions

- 135 General Cleaning Instructions

# 2 & 3 Section Plinths



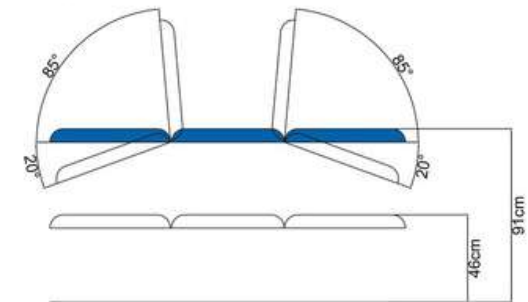
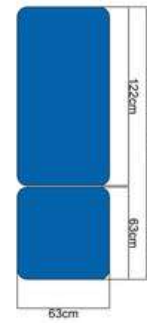
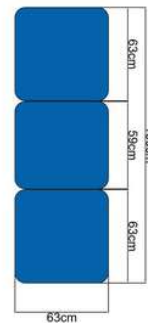
## E2/E3 & BA02/BA03

The Medi-Plinth Ensignia & 2 & 3 Section ranges are designed to meet the highest standards of clinical performance, combining robust engineering with practical functionality for long-term reliability. Built around industry-leading Linak “High Reliability” actuators, these models ensure smooth and consistent movement under heavy loads, making them a dependable choice for busy NHS and private healthcare environments.

The electric lifting system offers exceptional stability while the hydraulic option delivers the same solid stability making it a versatile alternative where electrical operation may not be required. The handset control on electric versions allows clinicians to make rapid, precise adjustments without interrupting patient care. It includes gas-spring-assisted back and foot sections for intuitive positioning, retractable rubber castors and an adjustable foot to maintain stability on uneven floors.

A standard paper roll holder is included for streamlined patient preparation and infection control. Manufactured in the UK and CE Marked.

Code	Mechanism	SWL	Surface	Footrest Adj	Backrest Adj
E2	Electric	260kg	186 x 63 cm	-20° to +85°	-20° to +85°
E3	Electric	260kg	186 x 63 cm	-20° to +85°	-20° to +85°
BA02E	Electric	260kg	186 x 63 cm	-20° to +85°	-20° to +85°
BA03E	Electric	260kg	186 x 63 cm	-20° to +85°	-20° to +85°
BA02H	Hydraulic	225kg	186 x 63 cm	-20° to +85°	-20° to +85°
BA03H	Hydraulic	225kg	186 x 63 cm	-20° to +85°	-20° to +85°



Accessories	Code
Extra Wide Upholstery (75cm)	EW1
Transport Castors (standard on Ensignia Couches)	CA01
Breathing Hole & Bung	BR02
Cotsides (BA02/3 Only painted, chrome or padded)	
Foot Protection Cover	FP01
Detachable Head Rest	DHR01
Electric Backrest (BA02/3 Only)	+EB01
Tilting Seat (BA03E Only)	+EB02
Electric Foot (BA03E Only)	+EB03
Positioning Wedge Set	WEDGESET



## 14 Standard Colours



BEIGE



CITRUS GREEN



APPLE MINT



CANDY



RASPBERRY CRUSH



DAMSON



PILLAR BOX RED



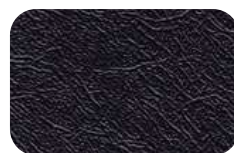
WHITE



ASH GREY



GUN METAL GREY



BLACK



DARK BLUE



MID BLUE



SKY BLUE

# 2 & 3 Section Plinths- Enhanced Multi-Use



## AB01 ACCESSORY BAR

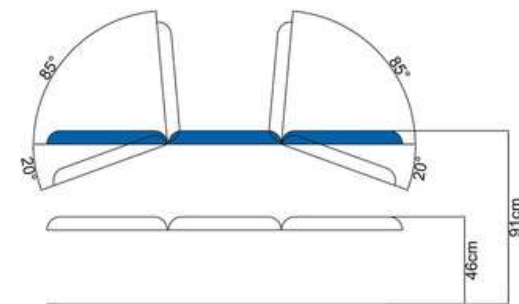
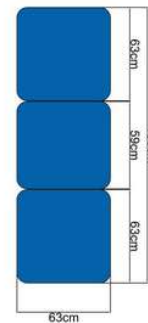
The Medi-Plinth 2 & 3 Section Plinth range can now be specified with an optional accessory bar, available in single or pair configurations, to further expand clinical versatility. It is particularly suited to multi-disciplinary environments, including outpatient departments, GP surgeries, and specialist clinics, where adaptability and space utilisation are essential.

Designed to support a wide range of interchangeable accessories, the accessory bar allows the plinth to be quickly adapted for multiple procedures within a single treatment space. Its intuitive design allows accessories to be fitted and removed with ease, supporting efficient workflows and reducing setup time between patients.

Compatible attachments include plaster tables, gynae troughs and stirrups, and phlebotomy arms, enabling seamless transition between examination types.

This system helps maximise room efficiency, reduce equipment requirements, and support evolving clinical needs.

Code	Mechanism	SWL	Surface	Footrest Adj	Backrest Adj
E2	Electric	260kg	186 x 63 cm	-20° to +85°	-20° to +85°
E3	Electric	260kg	186 x 63 cm	-20° to +85°	-20° to +85°
BA02E	Electric	260kg	186 x 63 cm	-20° to +85°	-20° to +85°
BA03E	Electric	260kg	186 x 63 cm	-20° to +85°	-20° to +85°
BA02H	Hydraulic	225kg	186 x 63 cm	-20° to +85°	-20° to +85°
BA03H	Hydraulic	225kg	186 x 63 cm	-20° to +85°	-20° to +85°



Accessories	Code
Accessory Bar (For Standard 2/3 Section Couches) - Pair	AB01-P
Accessory Bar (For Standard 2/3 Section Couches) - Single	AB01-S
Phlebotomy Arms - Pair	PHL1-P
Phlebotomy Arm - Single	PHL1-S
Plastic Treatment/Plaster Tables - Pair	DPT1
Plastic Treatment/Plaster Table - Single	DPT1-S
Gynaecology Knee Troughs	GY03
Gynaecology Stirrups	GY01



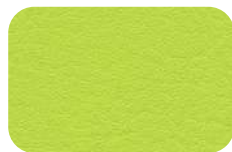
Find us on NHS Supply Chain Catalogue



## 14 Standard Colours



BEIGE



CITRUS GREEN



APPLE MINT



CANDY



RASPBERRY CRUSH



DAMSON



PILLAR BOX RED



WHITE



ASH GREY



GUN METAL GREY



BLACK



DARK BLUE



MID BLUE



SKY BLUE

# Changing Tables



## BA01E/BA01H

Medi-Plinth Changing Tables are purpose-built for durability, stability, and ease of use in high-demand healthcare and care facility environments. Designed to accommodate a wide range of patient needs, they are equipped with industry-leading Linak “High Reliability” actuators on electric models, ensuring smooth, controlled movement and dependable performance even under heavy use.

Electric versions are fitted with handset controls, allowing precise, effortless height adjustments for improved ergonomics and reduced manual handling for carers.

Designed for long-term service life, Medi-Plinth Changing Tables are ideal for hospitals, clinics, schools, and specialist care facilities seeking equipment that offers reliability and patient safety.

Available in sizes 1000mm, 1200mm, 1500mm or 1800mm. Manufactured in the UK and CE Marked.

Code	Mechanism	SWL	Surface	Height Adj
BA01E1000	Electric	260kg	100 x 63 cm	46 - 91 cm
BA01H1000	Hydraulic	225kg	100 x 63 cm	46 - 91 cm
BA01E1200	Electric	260kg	120 x 63 cm	46 - 91 cm
BA01H1200	Hydraulic	225kg	120 x 63 cm	46 - 91 cm
BA01E1500	Electric	260kg	150 x 63 cm	46 - 91 cm
BA01H1500	Hydraulic	225kg	150 x 63 cm	46 - 91 cm
BA01E1800	Electric	260kg	180 x 63 cm	46 - 91 cm
BA01H1800	Hydraulic	225kg	180 x 63 cm	46 - 91 cm

 **Please note cotsides are not included as standard.**

Accessories	Code
Extra Wide Upholstery (75cm)	EW1
Paper Roll Holder	PR01-CT
Footswitch	FO01
Positioning Wedge Set	WEDGESET

Cotside Options	Code
Cotside Chrome Plated- Pair	CO01C-P
Cotside Chrome Plated- Single	CO01C-S
Cotside Padded Loop Chrome Plated- Pair	CP01C-P
Cotside Padded Loop Chrome Plated- Single	CP01C-S
Cotside Painted Padded- Pair	CP01-P
Cotside Painted Padded- Single	CP01-S
Cotside Painted- Pair	CO01-P
Cotside Painted- Single	CO01-S



 **Please note cotsides are not included as standard.**

## 14 Standard Colours



BEIGE



CITRUS GREEN



APPLE MINT



CANDY



RASPBERRY CRUSH



DAMSON



PILLAR BOX RED



WHITE



ASH GREY



GUN METAL GREY



BLACK



DARK BLUE



MID BLUE



SKY BLUE

# Drop End Plinths



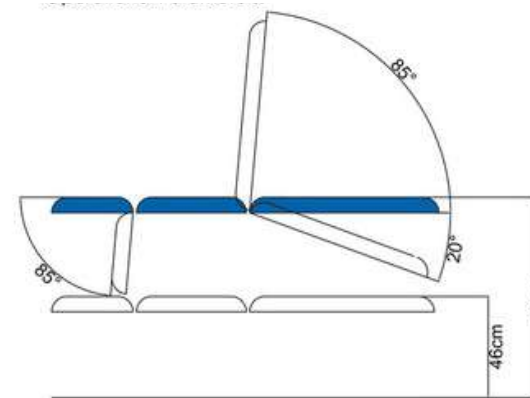
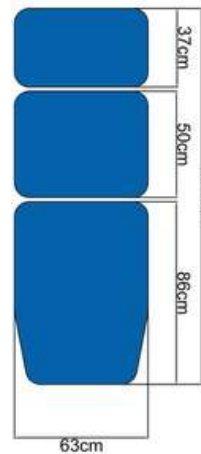
## DE03E/DE03H

The Drop End 3-Section Plinth offers remarkable functionality in tight clinical environments by combining compact design with advanced positioning capabilities. Functioning as both a traditional three-section couch and a chair, this model allows patients to be seated from the front or side.

Available in both electric and hydraulic mechanisms, the plinth safely supports up to 260kg (electric) or 225kg (hydraulic). This high payload capacity ensures suitability for a wide range of patient needs. Key standard features include retractable rubber castors for easy mobility, adjustable feet to compensate for uneven flooring, MRSA-resistant, antibacterial and fire-retardant upholstery, a gas-spring assisted back and foot section for smooth positioning, and a low entry height that supports convenient wheelchair transfers.

Constructed in the UK to CE standards and equipped with world-class Linak "High Reliability" actuators.

Code	Mechanism	SWL	Surface	Footrest Adj	Backrest Adj
DE03E	Electric	260kg	177 x 63 cm	-85°	-20° to +85°
DE03H	Hydraulic	225kg	177 x 63 cm	-85°	-20° to +85°



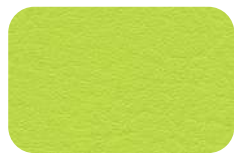
Accessories	Code
Footswitch	FO01
Extra Wide Upholstery (75cm)	EW1
Breathing Hole	BR02
Foot Protection Cover	FP01
Detachable Head Rest	DHR01
Adjustable Arm Rests	DE01
Tilting Seat	EB02
Electric Backrest	EB01
Paper Roll Holder	PR01
Stainless Steel Accessory Rails	SSAR01



## 14 Standard Colours



BEIGE



CITRUS GREEN



APPLE MINT



CANDY



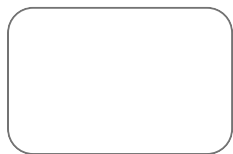
RASPBERRY CRUSH



DAMSON



PILLAR BOX RED



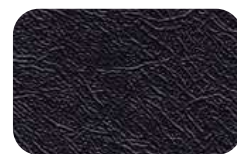
WHITE



ASH GREY



GUN METAL GREY



BLACK



DARK BLUE



MID BLUE



SKY BLUE

# Multi-Purpose Plinths



## MPO3E/MPO3H

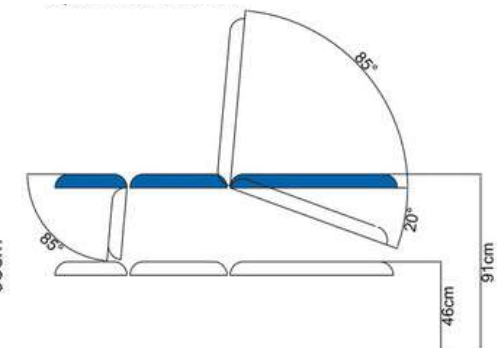
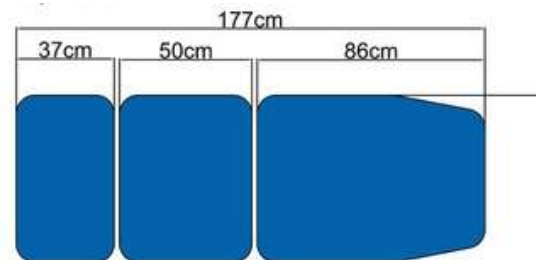
The Multi-Purpose Plinth is a versatile 4-in-1 treatment couch designed for modern clinical environments, suitable for phlebotomy, minor surgery, gynaecology, and general examination procedures. Featuring a foot section that drops to 85°, it enables compact seating in confined spaces and supports a seamless transition into a chair position.

Standard features include retractable rubber castors, an adjustable foot for uneven flooring, gas-spring assisted head and foot sections, and anti-bacterial, MRSA-resistant, fire-retardant upholstery for infection control and patient comfort.

The delivery includes a phlebotomy arm, a pair of gynaecology stirrups, and a quick-release plaster treatment table, ensuring immediate operational adaptability for diverse clinical workflows.

Manufactured in the UK to CE certification standards.

Code	Mechanism	SWL	Surface	Footrest Adj	Backrest Adj
MPO3E	Electric	260kg	177 x 63 cm	-85°	-20° to +85°
MPO3H	Hydraulic	225kg	177 x 63 cm	-85°	-20° to +85°



Accessories	Code
Footswitch	FO01
Extra Wide Upholstery (75cm)	EW1
Breathing Hole	BR02
Foot Protection Cover	FP01
Detachable Head Rest	DHR01
Paper Roll Holder	PR01
Tilting Seat	EB02
Electric Backrest	EB01



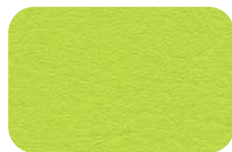
Find us on NHS Supply Chain Catalogue



## 14 Standard Colours



BEIGE



CITRUS GREEN



APPLE MINT



CANDY



RASPBERRY CRUSH



DAMSON



PILLAR BOX RED



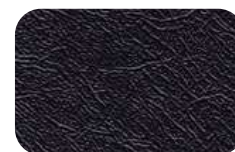
WHITE



ASH GREY



GUN METAL GREY



BLACK



DARK BLUE



MID BLUE



SKY BLUE

# Phlebotomy Chairs



## PH01E/H, PH02E/H

The Medi-Plinth Phlebotomy Chair offers a variable-height, ergonomically designed solution ideal for blood collection and general examinations.

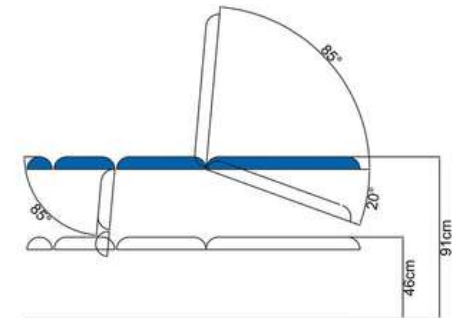
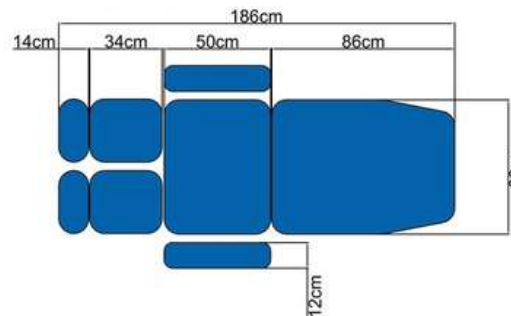
Equipped with two fully adjustable armrests and the option for a split-leg design, it also doubles as a three-section examination couch.

Available with either an electric mechanism or a hydraulic mechanism, the chair ensures stable performance across a diverse patient base. It features gas spring-assisted back and leg section movement, retractable rubber castors, and an adjustable foot to maintain stability on uneven floors.

The upholstery is MRSA-resistant, antibacterial, and fire-retardant, with an extra-low entry height to support wheelchair transfers.

Manufactured in the UK to CE certification standards.

Code	Mechanism	SWL	Surface	Footrest Adj	Backrest Adj
PH01E	Electric	260kg	186 x 63 cm	-85°	-20° to +85°
PH01H	Hydraulic	225kg	186 x 63 cm	-85°	-20° to +85°
PH02E	Electric	260kg	186 x 63 cm	-85°	-20° to +85°
PH02H	Hydraulic	225kg	186 x 63 cm	-85°	-20° to +85°



Accessories	Code
Footswitch	FO01
Extra Wide Upholstery (75cm)	EW1
Breathing Hole	BR02
Foot Protection Cover	FP01
Detachable Head Rest	DHR01
Adjustable Arm Rests	DE01
Tilting Seat	EB02
Electric Backrest	EB01



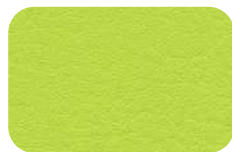
Find our products on the NHS Supply Chain Catalogue



## 14 Standard Colours



BEIGE



CITRUS GREEN



APPLE MINT



CANDY



RASPBERRY CRUSH



DAMSON



PILLAR BOX RED



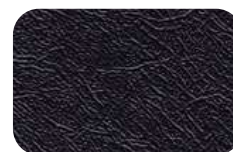
WHITE



ASH GREY



GUN METAL GREY



BLACK



DARK BLUE



MID BLUE



SKY BLUE

# Treatment/Plaster Chairs



## PL01E/H, PL02E/H

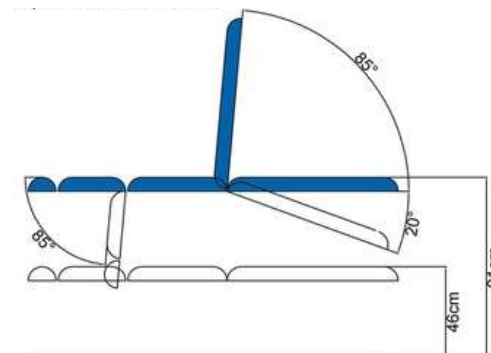
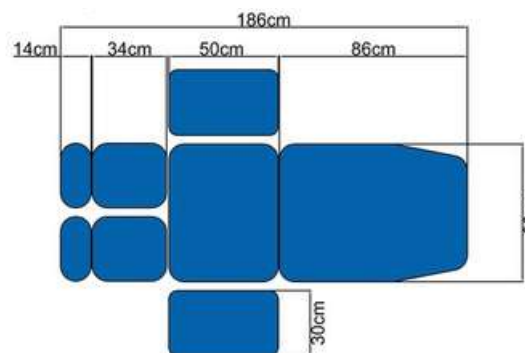
The Medi-Plinth Treatment/Plaster Chair offers a variable-height, ergonomically designed solution ideal for general examinations. Equipped with two fully adjustable tables and the option for a split-leg design, it also doubles as a three-section examination couch.

Available with either an electric mechanism or a hydraulic mechanism, the chair ensures stable performance across a diverse patient base. It features gas spring-assisted back and leg section movement, retractable rubber castors, and an adjustable foot to maintain stability on uneven floors.

The upholstery is MRSA-resistant, antibacterial, and fire-retardant, with an extra-low entry height to support wheelchair transfers.

Manufactured in the UK to CE certification standards.

Code	Mechanism	SWL	Surface	Footrest Adj	Backrest Adj
PL01E	Electric	260kg	186 x 63 cm	-85°	-20° to +85°
PL01H	Hydraulic	225kg	186 x 63 cm	-85°	-20° to +85°
PL02E	Electric	260kg	186 x 63 cm	-85°	-20° to +85°
PL02H	Hydraulic	225kg	186 x 63 cm	-85°	-20° to +85°



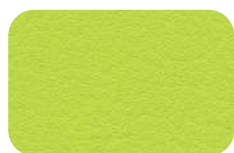
Accessories	Code
Footswitch	FO01
Extra Wide Upholstery (75cm)	EW1
Breathing Hole	BR02
Foot Protection Cover	FP01
Detachable Head Rest	DHR01
Adjustable Arm Rests	DE01
Tilting Seat	EB02
Electric Backrest	EB01
Paper Roll Holder	PR01



## 14 Standard Colours



BEIGE



CITRUS GREEN



APPLE MINT



CANDY



RASPBERRY CRUSH



DAMSON



PILLAR BOX RED



WHITE



ASH GREY



GUN METAL GREY



BLACK



DARK BLUE



MID BLUE



SKY BLUE

# Podiatry Chairs



## BAC06E/BTC06E

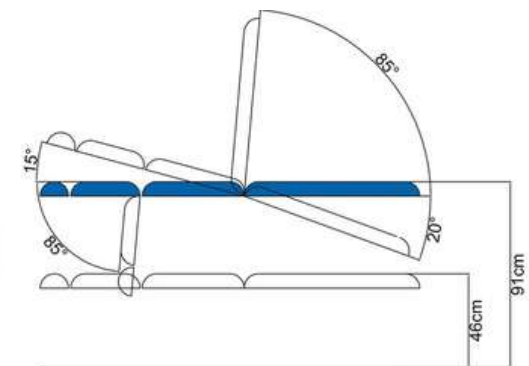
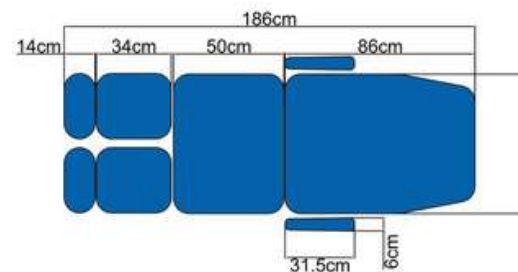
The Medi-Plinth Podiatry Chair is engineered for clinical precision and patient comfort. Offered in both standard and tilting versions, it enhances procedural access by allowing a natural seated posture with raised knees, improving ergonomics for both patient and clinician.

Constructed around Linak “High Reliability” electric actuators, the chair supports up to 260kg and delivers smooth, dependable height adjustment.

It includes gas-spring-assisted back and foot sections for intuitive positioning, retractable rubber castors and an adjustable foot to maintain stability on uneven floors, and MRSA-resistant, antibacterial, fire-retardant upholstery with an extra-low entry height for seamless wheelchair transfers. The chair features adjustable armrests and extending divided leg supports.

Manufactured in the UK to CE certification standards

Code	Mechanism	SWL	Surface	Footrest Lowers	Backrest Raises/Lowers
BAC06E	Electric	260kg	186 x 63 cm	-85°	-20° to +85°
BTC06E	Electric	260kg	186 x 63 cm	-85°	-20° to +85°



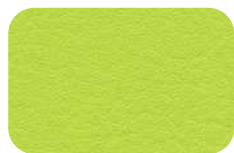
Accessories	Code
Footswitch	FO01
Extra Wide Upholstery (75cm)	EW1
Breathing Hole	BR02
Foot Protection Cover	FP01
Detachable Head Rest	DHR01
Adjustable Arm Rests	DE01
Tilting Seat	EB02
Electric Backrest	EB01
Paper Roll Holder	PR01



## 14 Standard Colours



BEIGE



CITRUS GREEN



APPLE MINT



CANDY



RASPBERRY CRUSH



DAMSON



PILLAR BOX RED



WHITE



ASH GREY



GUN METAL GREY



BLACK



DARK BLUE



MID BLUE



SKY BLUE

# Gynaecology Plinths



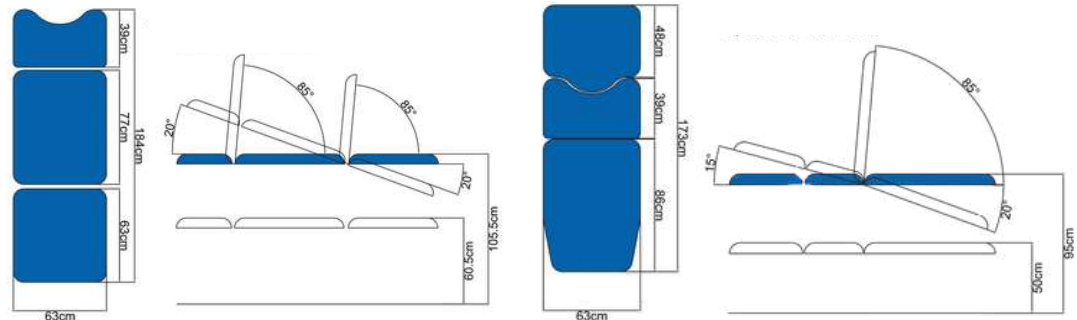
## GY02E/GY04E

Engineered for modern clinical settings, the GP Gynaecological Plinth offers enhanced clinician access and patient comfort through its ergonomic design and electric height-and-tilt adjustment, including Trendelenburg positioning. The fully electric model features versatile leg support options, foot stirrups, knee troughs, or upholstered footpads and includes a sturdy stainless-steel tray for convenience and hygiene.

It also converts easily into a standard two-section plinth thanks to a removable leg section. Its low entry height, gas-spring assisted backrest, retractable castors, and adjustable foot for uneven floors make it highly adaptable in fast-paced care environments.

The Ultra Gynaecological Plinth represents the pinnacle of comfort and clinical versatility. Featuring three independent electric motors for controlling height, tilt, and backrest, it facilitates smooth Trendelenburg positioning. Standard fittings include adjustable knee troughs or foot stirrups, robust stainless-steel tray, and soft, durable double-thickness upholstery with infection- and fire-resistant properties. UK-manufactured and CE-marked.

Code	Mechanism	SWL	Surface	Footrest Adj	Backrest/Mid Section Adj
GY02ET	Electric	260kg	173 x 63 cm	N/a	85°
GY02ES	Electric	260kg	173 x 63 cm	N/a	85°
GY02EF	Electric	260kg	173 x 63 cm	N/a	85°
GY04ET	Electric	260kg	184 x 63 cm	N/a	85°
GY04ES	Electric	260kg	184 x 63 cm	N/a	85°
GY04EF	Electric	260kg	184 x 63 cm	N/a	85°



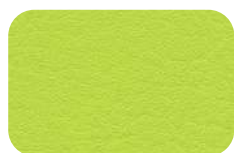
Accessories	Code
Troughs, Stirrups or Foot Pads	GY03/GY01/GY05
Breathing Hole	BR02
Paper Roll Holder	PR01
Adjustable Arms	DE01
Detachable Head Rest	DHR01
Electric Backrest	EB01
Fold Down Arm Loops (GY02 only)	AL01
Footswitch	FO02 or FO03 (model permitting)
Positioning Wedge Set	WEDGESET



## 14 Standard Colours



BEIGE



CITRUS GREEN



APPLE MINT



CANDY



RASPBERRY CRUSH



DAMSON



PILLAR BOX RED



WHITE



ASH GREY



GUN METAL GREY



BLACK



DARK BLUE



MID BLUE



SKY BLUE

# Bo-Plinths



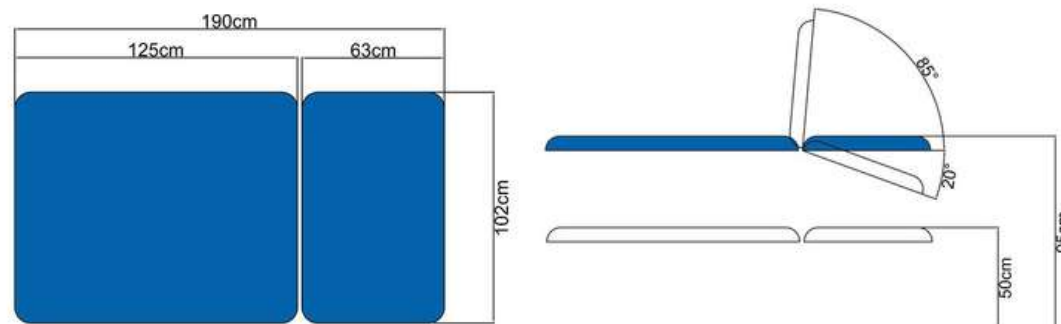
## BO01E

The Medi-Plinth Two-Section Bobath Plinth is designed to meet the rigorous needs of neurologically complex and head-injury patients, combining strength, flexibility, and ergonomic treatment support. Its robust, wide patient surface provides enhanced clinician access and confidence during therapy and examination procedures.

Dual gas-spring assisted back section facilitates easy adjustment, while a heavy-duty adjustable foot helps maintain stability on uneven floors. The extra-low entry height allows seamless wheelchair transfers, and upholstery is MRSA-resistant, antibacterial, fire-retardant, and available in 14 standard colours.

We are confident in the materials and build quality of our products and as such offer a comprehensive parts and labour warranty to cover manufacturing or material defects of 7 years for the frame and 3 years for moving parts.

Code	Mechanism	SWL	Surface	Height Adj	Backrest Raises/Lowers
BO01E	Electric	320kg	190 x 102 cm	50-95 cm	-20° to +85°



Accessories	Code
Footswitch	FO01
Extra Wide Upholstery- large format couches only (120cm)	EW3
Breathing Hole	BR02
Detachable Head Rest	DHR03
Paper Roll Holder	PR01
Heavy Duty Adjustable Arm Rests	BE01
Battery Operating System	BOS
Cotsides (painted, chrome or padded)	



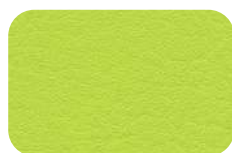
Find our products on the NHS Supply Chain Catalogue



## 14 Standard Colours



BEIGE



CITRUS GREEN



APPLE MINT



CANDY



RASPBERRY CRUSH



DAMSON



PILLAR BOX RED



WHITE



ASH GREY



GUN METAL GREY



BLACK



DARK BLUE



MID BLUE



SKY BLUE

# Bariatric Plinths

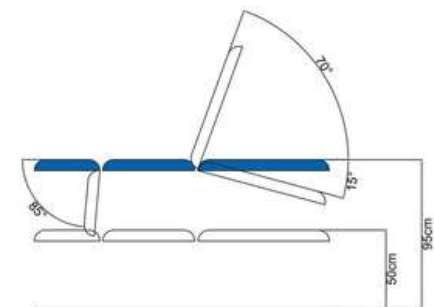
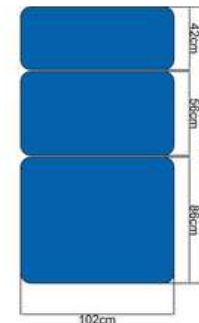
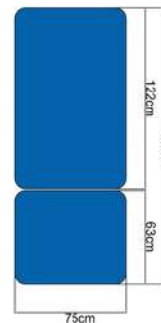


## **BARIO275/100, BARIO375/100, BARIO375DE/100DE**

The Medi-Plinth Bariatric Plinth range is designed to meet the growing demand for high-capacity treatment equipment, offering robust, feature-rich solutions that ensure both patient comfort and clinical efficiency. Each model supports a maximum safe working load of 320 kg and incorporates a secure electric lift system powered by Linak “High Reliability” actuators. Optional extra-wide surfaces of 75 cm or 100 cm further enhance patient accessibility and comfort. Adjustable feet and an extra-low entry height facilitate seamless wheelchair transfers, and retractable castors allow easy movement between treatment areas.

The 2-Section Bariatric Couch delivers a compact yet supportive platform with electric backrest as standard. The 3-Section Bariatric Couch builds on this functionality with an additional section that enables greater flexibility in patient positioning, including elevated hip and leg adjustments for more complex procedures. The Drop-End Bariatric Couch provides the added benefit of transforming the plinth into a chair to support a wider variety of patient care routines and improve clinical accessibility. UK-manufactured and CE-marked.

Code	Mechanism	SWL	Surface	Footrest Adj	Backrest Adj
BARIO275	Electric	320kg	186 x 75 cm	N/a	-20° to +85°
BARIO2100	Electric	320kg	186 x 100 cm	N/a	-20° to +85°
BARIO375	Electric	320kg	186 x 75 cm	-20° to +85°	-20° to +85°
BARIO3100	Electric	320kg	186 x 100 cm	-20° to +85°	-20° to +85°
BARIO3100DE	Electric	320kg	186 x 100 cm	-85°	-15° to +70°
BARIO375DE	Electric	320kg	186 x 100 cm	-85°	-15° to +70°



Accessories	Code
Footswitch	FO02
Extra Wide Upholstery- large format couches only (120cm)	EW3
Breathing Hole	BR02
Detachable Head Rest (75cm wide)	DHR02
Detachable Head Rest (100cm wide)	DHR03
Bariatric Armrests	BE01
Electric Foot	+EB03

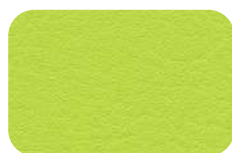


Find our products on the NHS Supply Chain Catalogue

## 14 Standard Colours



BEIGE



CITRUS GREEN



APPLE MINT



CANDY



RASPBERRY CRUSH



DAMSON



PILLAR BOX RED



WHITE



ASH GREY



GUN METAL GREY



BLACK



DARK BLUE



MID BLUE



SKY BLUE

# Echocardiography Plinths



## ECG03E/ECG03T

The Medi-Plinth Echocardiography Plinth is purpose-designed to optimize clinician access and patient comfort during ultrasonographic cardiac procedures.

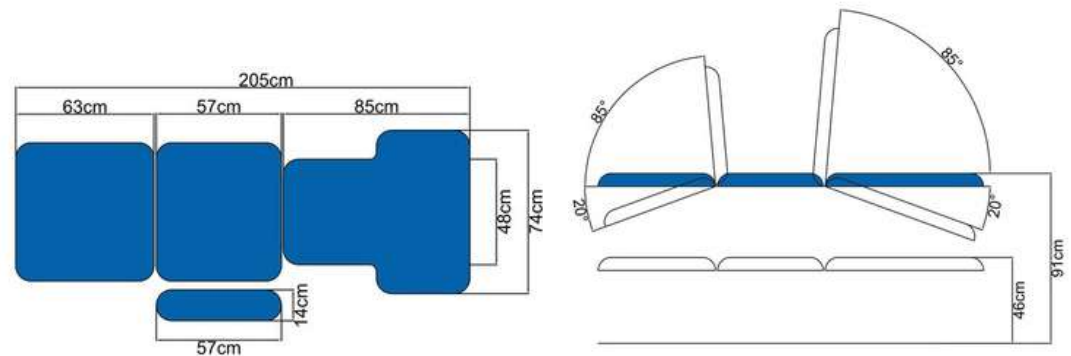
An extended mid-section allows for comfortable patient seating or lateral positioning, while contoured backrest cut-outs improve scan access across the chest.

Padded support handles are positioned to give patients confidence when lying near the edge of the plinth.

Available in electric and electric-tilting configurations, the electric version supports up to 260 kg, with Trendelenburg tilt offered as an optional enhancement.

The platform includes retractable rubber castors, an adjustable foot for uneven flooring, gas-spring-assisted back and foot sections, and an exceptionally low entry height, facilitating safe transfers from wheelchairs.

Code	Mechanism	SWL	Surface	Footrest Adj	Backrest Adj
ECG03E	Electric	260kg	205 x 74 cm	-20° to +85°	-20° to +85°
ECG03T	Electric	260kg	205 x 74 cm	-20° to +85°	-20° to +85°



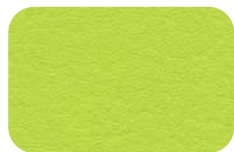
Accessories	Code
Footswitch	FO01 or FO02 (model permitting)
Extra Wide Upholstery (75cm)	EW1
Breathing Hole	BR02
Foot Protection Cover	FP01



## 14 Standard Colours



BEIGE



CITRUS GREEN



APPLE MINT



CANDY



RASPBERRY CRUSH



DAMSON



PILLAR BOX RED



WHITE



ASH GREY



GUN METAL GREY



BLACK



DARK BLUE



MID BLUE



SKY BLUE

# Outpatient Plinths



## OP02E/H, OP03E/H

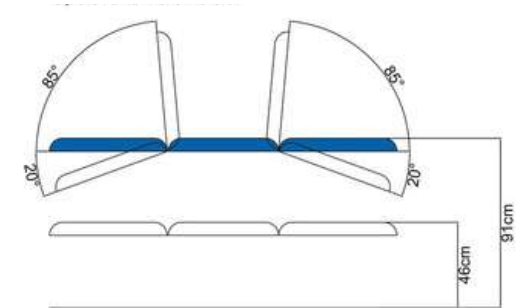
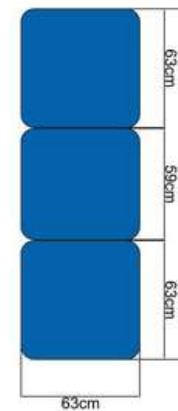
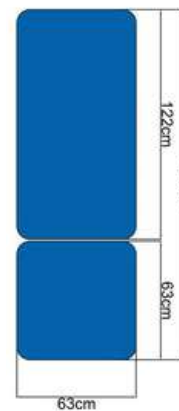
The Medi-Plinth Outpatients Plinth offers adaptable functionality by combining treatment convenience with internal transport capabilities within busy outpatient departments. Built with chrome cot sides as standard, it enhances patient safety while supporting efficient workflows.

Users can choose between an electric version supporting a safe working load of 260 kg—or a hydraulic alternative rated at 225 kg. Both provide seamless movement via individually braked 100mm castors ensuring smooth repositioning and secure stability during use. The electric variant also includes battery operation for uninterrupted usage.

Designed to support infection control, the plinth features MRSA-resistant, antibacterial, and fire-retardant upholstery supplied in 14 standard vinyl colours, with an option to upgrade to a wider 750mm surface for enhanced accessibility.

Every unit is CE-marked and manufactured in the UK, backed by a comprehensive warranty, 7 years on the frame and 3 years on moving parts.

Code	Mechanism	SWL	Surface	Footrest Adj	Backrest Adj
OP02E	Electric	260kg	186 x 63 cm	N/a	-20° to +85°
OP02H	Hydraulic	225kg	186 x 63 cm	N/a	-20° to +85°
OP03E	Electric	260kg	186 x 63 cm	-20° to +85°	-20° to +85°
OP03H	Hydraulic	225kg	186 x 63 cm	-20° to +85°	-20° to +85°



Accessories	Code
Footswitch	FO01
Extra Wide Upholstery (75cm)	EW1
Breathing Hole	BR02
Detachable Headrest	DHR01
Electric Foot	EB03
Electric Backrest	EB01
IV Pole Attachment	DP01

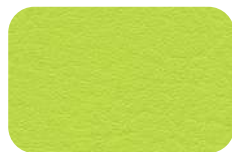


Find our products on the NHS Supply Chain Catalogue

## 14 Standard Colours



BEIGE



CITRUS GREEN



APPLE MINT



CANDY



RASPBERRY CRUSH



DAMSON



PILLAR BOX RED



WHITE



ASH GREY



GUN METAL GREY



BLACK



DARK BLUE



MID BLUE



SKY BLUE

# Day Care Plinths



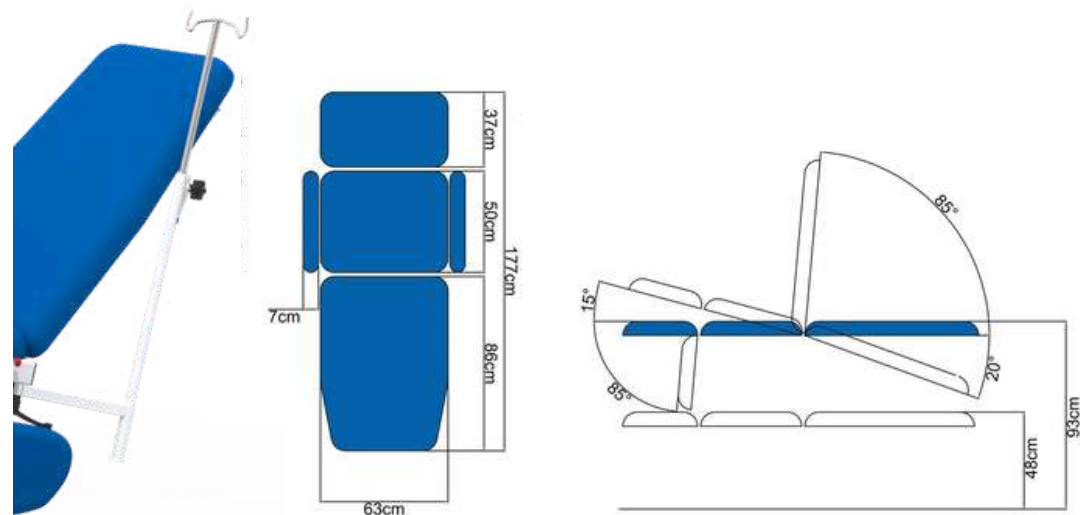
## DC03E

Medi-Plinth's Day Care couch is ideal for patients that spend large amounts of time seated during examinations or treatments. Designed with patient comfort in mind, this couch features a linked castor wheel system that allows for patients to be transported both safely and with ease.

Its robust electric framework, driven by Linak "High Reliability" actuators, delivers a safe working load of 260 kg and smooth, dependable adjustments. Integrated linked castors with central braking, steering, and locking enhance safe and effortless patient transfer and mobility.

Patient comfort is assured thanks to a gas-spring-assisted back section, fold-down sides and armrests, and a tilting seat capable of achieving a 15° Trendelenburg position, providing optimal postural support. With MRSA-resistant, antibacterial, and fire-retardant upholstery available in a spectrum of 14 standard vinyl colours, it meets stringent infection control standards. An extra-low entry height ensures seamless wheelchair transfers, and the entire unit is manufactured in the UK to CE standards.

Code	Mechanism	SWL	Surface	Footrest Adj	Backrest Adj
DC03E	Electric	260kg	177 x 63 cm	-85°	-20° to +85°



Accessories	Code
Footswitch	FO02
Extra Wide Upholstery (75cm)	EW1
Breathing Hole	BR02
Foot Protection Cover	FP01
IV Pole Attachment	DP01
Electric Backrest	EB01
Battery Operating System	BOS

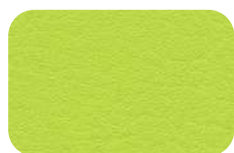


Find our products on the NHS Supply Chain Catalogue

## 14 Standard Colours



BEIGE



CITRUS GREEN



APPLE MINT



CANDY



RASPBERRY CRUSH



DAMSON



PILLAR BOX RED



WHITE



ASH GREY



GUN METAL GREY



BLACK



DARK BLUE



MID BLUE



SKY BLUE

# Column Medical Chairs



## MED04EC, MED04ECT

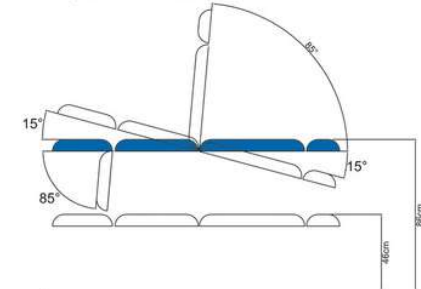
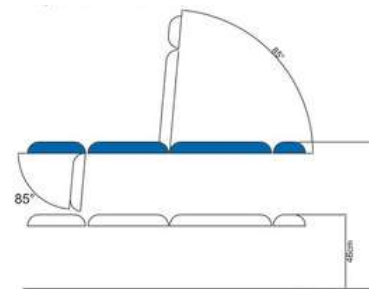
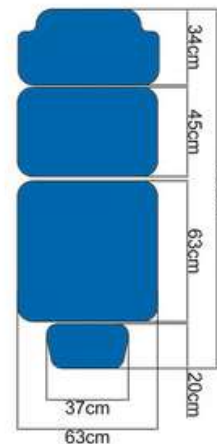
The Medi-Plinth Single Column Medical Chair offers all the functionality of a traditional exam chair within a compact, space-saving design ideal for clinics or consultation rooms where space is at a premium. The electrically operated mechanism (also available in a tilting seat version) delivers a stable and smooth adjustment range.

Built with a hygienic, easy-to-clean design, this chair features a concealed base cover, retractable rubber castors, and an adjustable foot for working on uneven surfaces.

A gas-assisted backrest and foot section come as standard, along with an adjustable padded headrest. Its extra-low entry height facilitates safe wheelchair transfers and helps reduce patient handling risks.

It is manufactured in the UK, CE-marked for regulatory compliance, and backed by a 7-year structural warranty and 3-year moving parts warranty.

Code	Mechanism	SWL	Surface	Footrest Adj	Backrest Adj
MEC04EC	Electric	190kg	169 x 63 cm	-85°	85°
MEC04ECT	Electric	190kg	169 x 63 cm	-85°	85°



Accessories	Code
Footswitch	FO01 or FO02 (model permitting)
Extra Wide Upholstery (75cm)	EW1
Plaster Tables	AR01
Foot Protection Cover	FP01
Phlebotomy Arms	PHL2-P
Adjustable Arm Rests	DE01

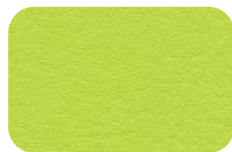


Find our products on the NHS Supply Chain Catalogue

## 14 Standard Colours



BEIGE



CITRUS GREEN



APPLE MINT



CANDY



RASPBERRY CRUSH



DAMSON



PILLAR BOX RED



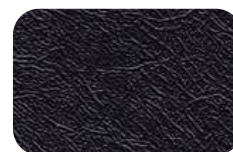
WHITE



ASH GREY



GUN METAL GREY



BLACK



DARK BLUE



MID BLUE



SKY BLUE

# General Medical Chairs



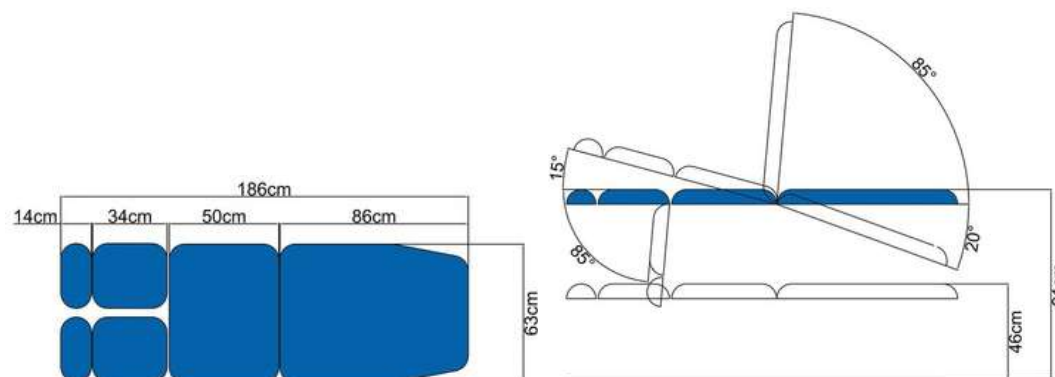
## MED06E/H, MEDT06E

The Medi-Plinth General Medical Chair is crafted to deliver maximum patient comfort and clinician efficiency without sacrificing durability. Its compact design makes it especially suitable for clinics, consultation rooms, and examination spaces where space is at a premium. Whether chosen with electric or hydraulic lifting, the chair offers stability and strength.

The chair features an optional tilting midsection that raises the knees into a natural seated position, improving posture and ergonomics for examination procedures. Both versions include gas spring-assisted back and leg sections, divided extending footrests, retractable rubber castors, and an adjustable foot designed to compensate for uneven flooring.

The chair boasts extra-low entry height to enable safe wheelchair transfers, upholstery that is MRSA-resistant, antibacterial, fire-retardant, and available in 14 standard vinyl colours, or optionally widened to 750 mm for enhanced patient access.

Code	Mechanism	SWL	Surface	Footrest Adj	Backrest Adj
MED06E	Electric	260kg	186 x 63 cm	-85°	-20° to 85°
MED06H	Hydraulic	225kg	186 x 63 cm	-85°	-20° to 85°
MEDT06E	Electric	260kg	186 x 63 cm	-85°	-20° to 85°



Accessories	Code
Footswitch	FO01 or FO02 (model permitting)
Extra Wide Upholstery (75cm)	EW1
Breathing Hole	BR02
Foot Protection Cover	FP02
Electric Backrest	EB01
Daycare Armrests	FDPA01

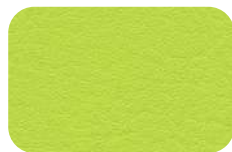


Find our products on the NHS Supply Chain Catalogue

## 14 Standard Colours



BEIGE



CITRUS GREEN



APPLE MINT



CANDY



RASPBERRY CRUSH



DAMSON



PILLAR BOX RED



WHITE



ASH GREY



GUN METAL GREY



BLACK



DARK BLUE



MID BLUE



SKY BLUE

# Tilt Tables



## T01E, T02E, T03E

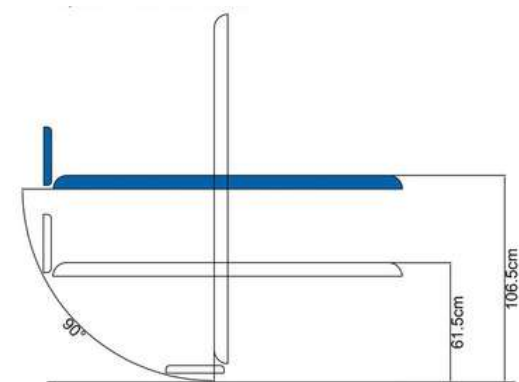
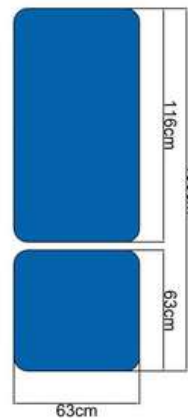
Medi-Plinth's Tilt Tables are engineered for reliable patient positioning in clinical environments, featuring dual-motor electric systems for smooth height and tilt adjustments.

**Standard Tilt Table-** This versatile model features large lockable castors for patient transport, integrated patient handles, an inclinometer, and three Velcro harnesses. A fixed footboard supports comfort and stability during tilting.

**2-Section Tilt Table-** Building on the standard model, the table includes an adjustable backrest, allowing the unit to function both as a tilt table and a general examination couch. Additional features include a fixed footboard, Velcro harnesses and patient handles.

**Split-Leg Tilt Table-** This variant incorporates a split-leg section that enables separate strapping of each leg for enhanced patient security—especially beneficial for those with limited stability. It retains the full tilt and height control, large transport castors, passenger handles, inclinometer, and protective harnesses seen in the standard version.

Code	Mechanism	SWL	Surface	Footrest Adj	Backrest Adj
T02E	Electric	180kg	186 x 63 cm	N/a	N/a
T01E	Electric	180kg	186 x 63 cm	N/a	N/a
T03E	Electric	180kg	186 x 63 cm	N/a	-15° to 85°



Accessories	Code
Footswitch	FO02
Extra Wide Upholstery (75cm)	EW1
Breathing Hole	BR01
Electric Backrest (2 Section Only)	EB01
Tilting Foot Board	TF01
Tilting Split Foot Board	TF02
Tilting Patient Table	PT02
Velcro Harness (Set of 3 for Standard Tilt Tables)	VE03
Velcro Harness (Set of 3 for Split Leg Tilt Tables)	VE04



## 14 Standard Colours



# Physio Plinths



## PHYS+02E/H, PHYS+03E/H, PHYS+04E/H, PHYS+05E/H

The Physio+ range of rehabilitation plinths is precision-engineered to support treatment scenarios where stability, adjustability, and clinician access are essential.

Each version ranging from the 2-section to the 5-section models offers identical performance credentials. All feature gas-strut assisted backrests, retractable easy-clean castors for seamless mobility and secure positioning for mobile hoist access. Every unit includes a stitched ergonomic breathing hole, a paper roll holder, adjustable leveling foot for uneven surfaces, and an extra-low entry height for wheelchair accessibility.

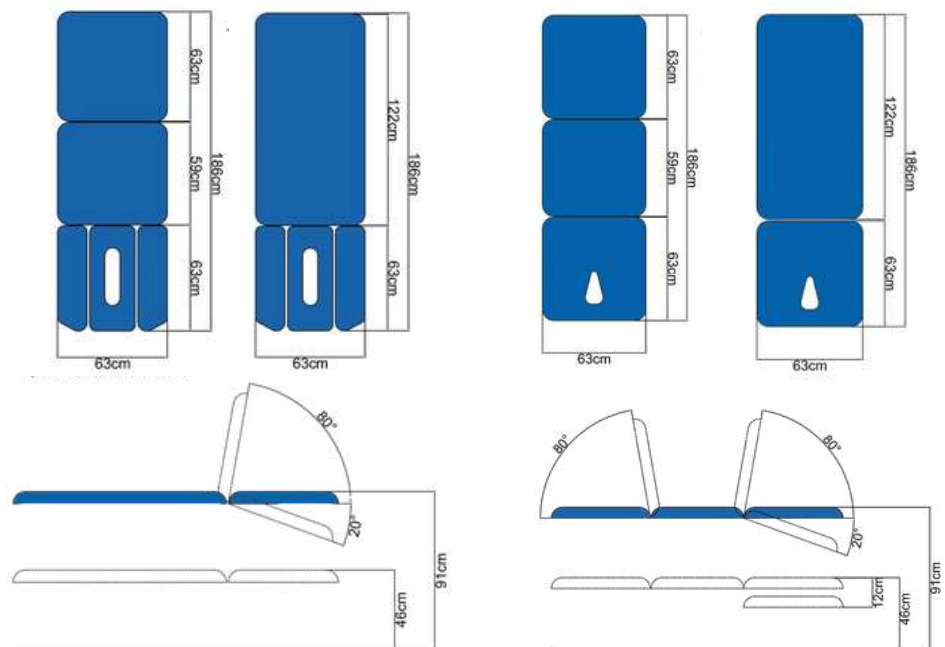
The 5-section model enhances treatment flexibility with added clinician access through adjustable head, arm supports, and a long breathing hole especially beneficial for face-down therapies and spinal mobilisation.

The 2-section version offers a streamlined, space-saving format that still delivers clinician access and robust support, ideal for standard examination or therapy workflows.

Code	Mechanism	SWL	Surface	Footrest Adj	Backrest Adj
PHYS+02E	Electric	260kg	186 x 63 cm	N/a	-20° to 80°
PHYS+02H	Hydraulic	225kg	186 x 63 cm	N/a	-20° to 80°
PHYS+03E	Electric	260kg	186 x 63 cm	80°	-20° to 80°
PHYS+03H	Hydraulic	225kg	186 x 63 cm	80°	-20° to 80°
PHYS+04E	Electric	260kg	186 x 63 cm	80°	-20° to 80°
PHYS+04H	Hydraulic	225kg	186 x 63 cm	80°	-20° to 80°
PHYS+05E	Electric	260kg	186 x 63 cm	80°	-20° to 80°
PHYS+05H	Hydraulic	225kg	186 x 63 cm	80°	-20° to 80°



Accessories	Code
Handset	HND00L
Extra Wide Upholstery (75cm)	EW1
Foot Protection Cover	FPO1
Cotsides (BA02/3 Only painted, chrome or padded)	
Positioning Wedge Set	WEDGESET



Find our products on the NHS Supply Chain Catalogue

## 14 Standard Colours



# Physio Plinths



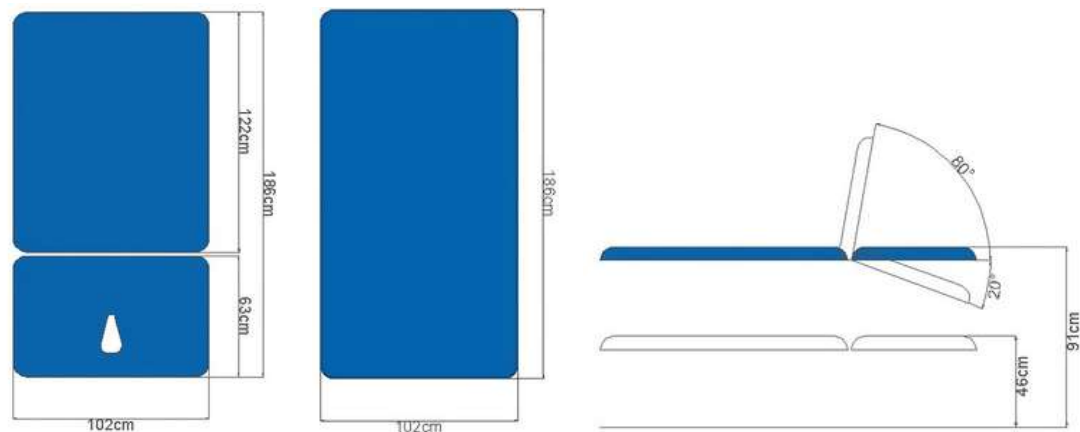
## PHYS+BOE, PHYS+MTE

Engineered for rehabilitation settings such as physiotherapy, neurology, and head-injury care, the Physio+ Two-Section BO Plinth offers exceptional clinical access to support effective treatment. The plinth includes a stitched keyhole breathing aperture with bung, paper-roll holder, footswitch and a heavy-duty adjustable foot to ensure stability on uneven floors.

The Mat Table variant of the Bobath rehabilitation plinth offers the same robust performance and platform stability, including the 320kg electric capacity, Linak-driven lift, and high-grade hygienic upholstery. It similarly features gas-assisted positioning sections, footswitch control, paper-roll holder, retractable castors, and adjustable feet, it's ideal for extended physio routines or patient assessments.

Both units deliver exceptional durability and positioning flexibility for physiotherapy and rehabilitation environments. They offer enriched clinician access and patient comfort, all while meeting stringent infection-control standards and delivering long-term value through robust UK engineering.

Code	Mechanism	SWL	Surface	Footrest Adj	Backrest Adj
PHYS+BOE	Electric	320kg	186 x 102 cm	N/a	-20° to 80°
PHYS+MTE	Electric	320kg	186 x 102 cm	N/a	N/a



Accessories	Code
Handset	HND00L
Extra Wide Upholstery- large format couches only (120cm)	EW3
Cotsides (painted, chrome or padded)	
Positioning Wedge Set	WEDGESET



## 14 Standard Colours



BEIGE



CITRUS GREEN



APPLE MINT



CANDY



RASPBERRY CRUSH



DAMSON



PILLAR BOX RED



WHITE



ASH GREY



GUN METAL GREY



BLACK



DARK BLUE



MID BLUE



SKY BLUE

# Ultrasound Plinths



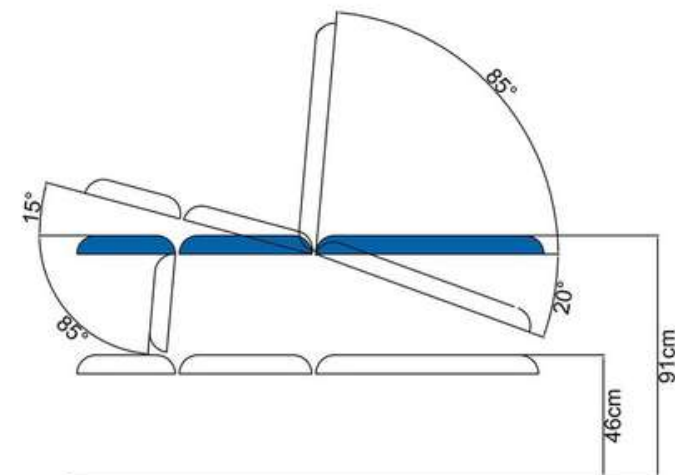
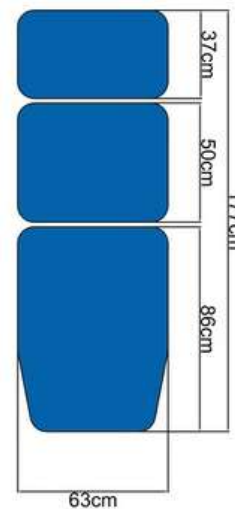
## US03TE

The Medi-Plinth Ultrasound Couch delivers enhanced positioning versatility and clinician ergonomics, combining electric controls with ergonomic comfort to support a wide range of diagnostic procedures.

Its design features variable electric height adjustment and an electrically adjustable tilt function with Trendelenburg capability, enabling smooth lateral positioning for both patient and operator access. The back and leg sections are assisted by gas springs to allow seamless recline and tilt movement.

Additional practical design elements include a drop-end foot section that lowers to approximately 85°, retractable rubber castors for straightforward mobility, and an adjustable leveling foot for use on uneven flooring. Designed with clinical workflows in mind, the couch features an extra-low entry height to facilitate smooth wheelchair transfers. Upholstery is MRSA-resistant, antibacterial, fire-retardant, and available in 14 standard vinyl colours, with an optional 750 mm extra-wide surface for additional patient comfort.

Code	Mechanism	SWL	Surface	Footrest Adj	Backrest Adj
US03TE	Electric	260kg	177 x 63 cm	-85°	85°



Accessories	Code
Footswitch	FO02
Extra Wide Upholstery (75cm)	EW1
Breathing Hole	BR02
Paper Roll Holder	PR01
Detachable Head Rest	DHR01
Adjustable Arm Rests	DE01

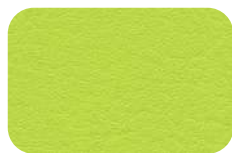


Find our products on the NHS Supply Chain Catalogue

## 14 Standard Colours



BEIGE



CITRUS GREEN



APPLE MINT



CANDY



RASPBERRY CRUSH



DAMSON



PILLAR BOX RED



WHITE



ASH GREY



GUN METAL GREY



BLACK



DARK BLUE



MID BLUE



SKY BLUE

# C-Arm Imaging Table



## CTABLE001

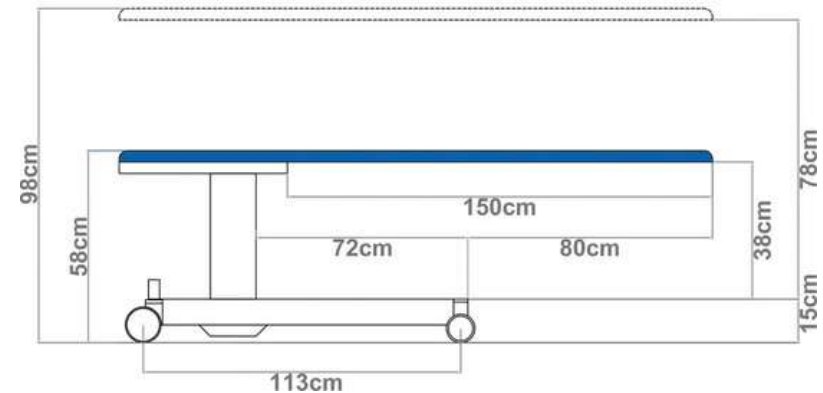
The Medi-Plinth C-Arm Imaging Table is a specialist, imaging-optimized clinical plinth designed to support procedures such as day surgery, vascular studies, and pain management. Its standout feature is a 150 cm artifact-free imaging area, ensuring clear access for C-Arm equipment and unhindered image capture.

With a low entry height of 58 cm rising to 98 cm at maximum elevation, the table supports a safe working load of 200 kg.

Engineered for streamlined patient handling and clinician access, the table employs Medi-Plinth's trusted column lift mechanism.

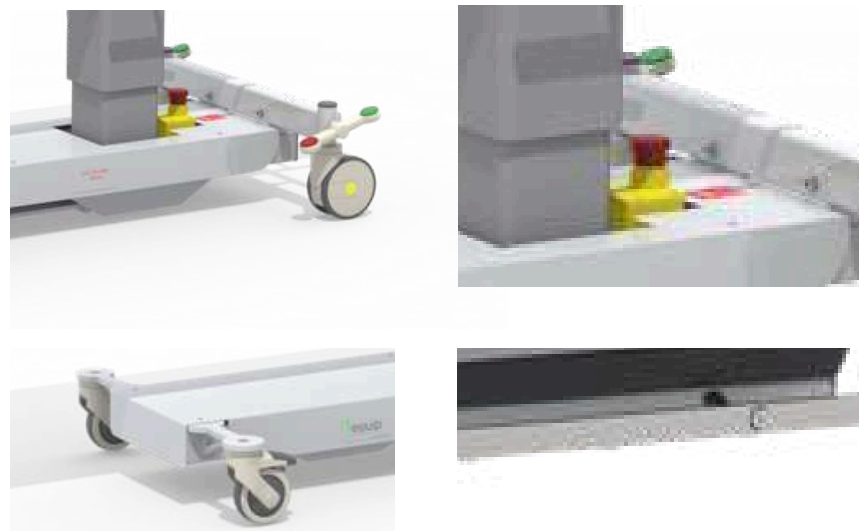
It includes medical-grade anti-static castors that lock securely into place, and a narrow base frame design for enhanced manoeuvrability. An easily accessible emergency stop button ensures safe operation during critical imaging procedures. Manufactured in the UK to CE standards, the C-Arm Imaging Table is built for long-term service in demanding environments.

Code	Mechanism	SWL	Surface	Height Adj	Artefact Free Imaging Area
CTABLE001	Electric	200kg	208 x 61cm	50 - 95cm	150cm



Accessories	Code
2x Full Length Accessory Rails	CTABLEAC01
Lithium Battery Operating System	CTABLEAC02
Stainless Steel Handle Bar	CTABLEAC03
Mattress with Face Hole (Visco Foam/Anti-Static)	CTABLEAC04

The C-Arm Imaging Table comes with a comprehensive 7-year frame warranty and 3-year coverage on moving parts, offering reassurance in performance and reliability. Optional accessories available include full-length accessory rails, lithium battery power systems, stainless-steel handle bars, and foot switch controls enhancing clinical flexibility. This combination of imaging optimization, durability, safety, and modular flexibility makes the Medi-Plinth C-Arm Imaging Table a standout solution for departments seeking dependable equipment that enhances both clinical effectiveness and long-term operational value.



 **Please note mattress is not included as standard.**



# Practice Plinths



## PP02

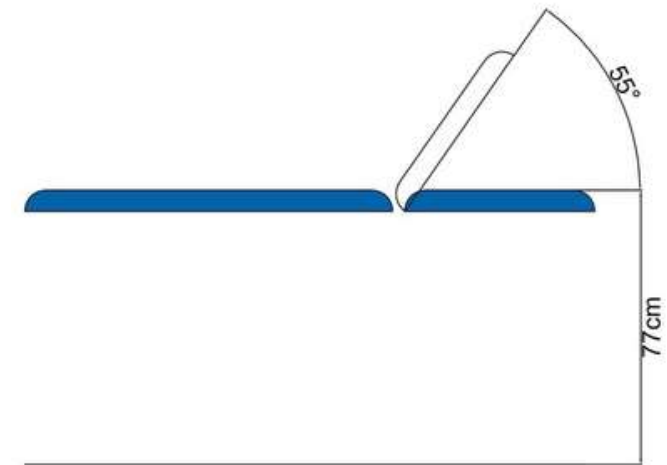
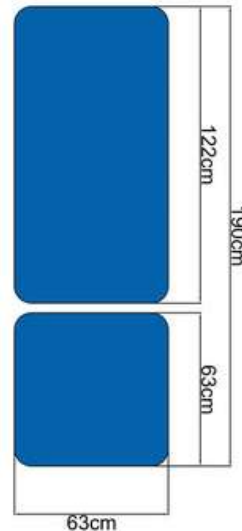
The Medi-Plinth Practice Plinth (fixed-height 2-section couch) presents outstanding value without compromising durability or functionality, making it a preferred choice across varied medical settings. Constructed with a robust epoxy powder-coated steel frame, it delivers dependable performance in primary care, physiotherapy, and general clinical rooms. A standard paper roll holder, which can be positioned for clinician convenience, further enhances its practicality.

Upholstery is designed with clinic safety and hygiene in mind: seamless-film gussets are used between sections to minimise dirt traps, and the material is MRSA-resistant, fire-retardant, and available in 14 contemporary vinyl colours to suit any given interior scheme.

The Practice Plinth is backed by a three-year structural warranty (excluding upholstery), reflecting long-term product confidence and commitment to aftercare. This Plinth is delivered flat-pack for easier transport and access into restricted areas.



Code	Mechanism	SWL	Surface	Height Adj	Raise/Lower Sections
PP02	Fixed Height	180kg	190 x 63 cm	n/a	55°



# Upholstery

All Medi-Plinth couches are available in our 14 standard colours. All products are upholstered in durable and comfortable vinyl which inhibits MRSA (3352 Methicillin resistant to Staphylococcus Aurous) Bio-Pruf treated to resist the growth of mould, mildew and odour causing microbes.

The upholstery used on Medi-Plinth couches has been developed over many years to eliminate issues such as folding and stitching whilst also ensuring minimal creasing. This has resulted in long lasting, smooth coverage and easy maintenance for infection control.



BEIGE



CITRUS GREEN



APPLE MINT



CANDY



RASPBERRY CRUSH



DAMSON



PILLAR BOX RED



WHITE



ASH GREY



GUN METAL GREY



BLACK



DARK BLUE



MID BLUE



SKY BLUE

Guide colours are for indication use only. Samples are available on request.

# Maternity Care

The Optima Birthing Beds, available in hydraulic, 2-motor, or 4-motor versions, each delivering precise ergonomic adjustments, low-profile access, and unmatched clinical flexibility to support mother, midwife, and obstetrician throughout labour and delivery. Complementing the bed, the Baby Crib provides a secure, mobile neonatal cot with adjustable Trendelenburg positions and antimicrobial bedding for safe and convenient mother-baby proximity. Completing the suite, the ergonomic Neonatal Chair delivers comfortable seating for caregivers and parents during extended stays in neonatal units.



## Neonatal Chair

The Neonatal Chair has been designed with long-stay comfort in mind, offering exceptional ergonomic support for both parents and caregivers in neonatal and maternity settings. By combining comfort-focused design with clinical practicality, it helps create a calming, supportive space for families.



## Optima Birthing Beds

The Optima Birthing Bed range supports mothers and clinicians through every stage of labour, birth, and recovery. Available in hydraulic, 2-motor, or 4-motor options, these beds provide low-profile access, smooth positional adjustments, and built-in safety features.



## Baby Crib

Combining safety, mobility, and ease of care, the Baby Crib ensures newborns remain secure and close to their mothers. Its adjustable Trendelenburg positions, antimicrobial surfaces, and smooth-gliding castors make it ideal for maternity wards and postnatal rooms.



## Optima Birthing Bed



Childbirth is one of the most significant experiences in healthcare—requiring equipment that supports safety, adaptability, and comfort at every stage. The Optima Delivery Bed has been developed with both patients and clinicians in mind, offering a modern solution for labour, delivery, and postnatal recovery. With its thoughtful design, intuitive functionality, and flexible configuration options, it adapts to the changing needs of mother and baby throughout the birthing journey.



Designed for  
Every Stage of Care.

Its smooth surfaces and carefully considered component design allow for fast, effective cleaning—supporting strict infection control protocols without compromising comfort or performance. Minimal maintenance requirements and robust construction ensure long-term reliability, making it a practical and trusted choice for hospitals and birthing centres alike.

# Optima Birthing Bed



## 2-Motor & 4-Motor models

The Optima Birthing Bed is tailored for modern maternity care, delivering ergonomic versatility and streamlined functionality throughout all stages of labour. Designed with ergonomic precision, it supports mothers, midwives, and obstetricians alike, enabling multiple key delivery and birthing positions within a single, highly adaptable unit.

Two configurations—2-motor, and 4-motor—provide scalable clinical flexibility. The 4-motor model features fully electric adjustments for height, backrest, leg section, and Trendelenburg, while still offering manual controls for leg movement, tilt, and fast-release backrest. The 2-motor version provides electric lift and backrest with manual leg section and tilt control.

Ease of use is enhanced by the handset on electric models, and manual Trendelenburg capabilities (up to 12°) also ensure clinical adaptability. The lightweight yet stable leg section, along with the entire design, supports more efficient operation in fast-paced birthing suites. The bed frame is CE-marked and MDR-compliant, with central locking and a lift system that supports up to 230 kg across all options.

Code	Total Width	Total Length	Height Adj	Patient Surface Width	SWL
100000011	103cm	152-211cm	59-95.5cm	78cm	230kg
100000009	100cm	152-211cm	58-95.5cm	78cm	230kg

Code	Trendelenburg	Back Adj	Leg Adj	Hand Control	Castors	Bed Weight
100000011	12°	0-70°	-	Yes	15 cm, central locking with brake bar	118kg
100000009	12°	0-75°	0-16°, 0-25cm	-	15 cm, central locking with brake bar	165kg

## Configuration

100000011: Birthing Bed Optima 2 Motor - Inc. mattress

100000009: Birthing Bed Optima 4 Motor - Inc. mattress



Accessories	Code
Foot rests	A42559000
Patient Control Panel & Under Bed Light - 4 Motor Option	A43192000
PCP, Reading Light & Under Bed Light - 2 Motor Option	A42964800
Infusion Rod 4-Hooks	100000499
Drainage Bag Holder	A41916000
Squatting Bar	A42749500
Attendant Control Panel - 4 Motor Option	A42471700
Attendant Control Panel - 2 Motor Option	A42964600

 **Mattress included as standard.**



## Controls

Clinician handset included as standard however the Attendant Control Panel (optional extra) is used with advanced delivery and patient care beds in which the positioning of a patient must be carefully controlled by medical staff. The ACO panel blocks the handset functions that may be inappropriate, or even dangerous to the patient.

Optional separate footswitch controls back section and bed height adjustments.

Easily detachable knee crutches included as standard.

The leg section can be adjusted via height and tilt. The tilt is useful when fine adjusting the foot supports to an optimal angle for the patient. The 12 Litre sliding debris bowl can also be removed and positioned as required.

## Comfort

Both knee crutches and squatting bar can be attached to the seat section with the unique patented locking mechanism or to the leg section with a plug-in system, offering more freedom for different positioning.

Electrical and manual Trendelenburg improve patient safety and position to (12o).

Additional squatting bar optimises gravity and helps widen the pelvic opening making a more comfortable labour. Lateral position allows minimal pressure and maximises blood flow to the uterus and the baby. This provides an ergonomic position for mothers of different sizes. Kneeling position aids the reduction of pressure on the diaphragm and improves blood supply to the contracting muscles.

## Positioning

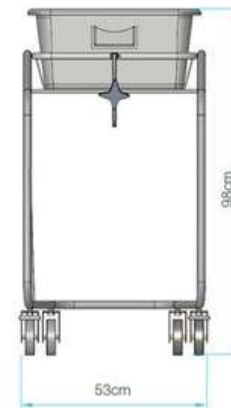
Ergonomic foot section extends bed by up to 25cm and slides under the bed when not in use and multiple delivery positions in a single unit offers a greater level of comfort for the mother.

Ultra light yet stable, the leg section is easy to manoeuvre and slides in under the bed together with the mattress, making work flow faster and more ergonomic on all models.

Emergency release of the backrest for quick lowering of the section in the event of an emergency.

150mm diameter castors with central braking and steering facility operated from head-end for ease of use when portering.

# Baby Crib



## Baby Crib 1000.000.380

Infant bed Baby Crib is a handy aid for the nursing of newborns. The crib can be positioned across the bed of the mother, thus allowing convenient access to the baby. It features a sturdy chrome-plated frame that is CE-marked and MDR compliant, with a stackable design for efficient transportation and storage.

Comfort and hygiene are central to the design. The cot includes a removable acrylic cradle and a fire-resistant polyurethane mattress covered with an Oeko-Tex certified, bi-elastic antimicrobial polyester. The zipper is protected by a drip flap to prevent moisture ingress, and the mattress cover is machine washable for easy cleaning.

Ease of handling is ensured by 100 mm castors, two of which are lockable, and each cot offers hydraulic Trendelenburg and reverse Trendelenburg tilting of  $\pm 12^\circ$ , controlled via a manual lever.

Safety is prioritized through regulatory compliance with Regulation (EU) 2017/745.

Code	Total Width	Total Length	Total Height	Mattress Width	SWL
1000.000.380	87cm	53cm	98cm	39.2cm	15kg

Code	Trendelenburg	Anti Trendelenburg	Castors	Crib Weight
1000.000.380	12°	12°	Ø100 mm (2 lockable)	11kg

## Configuration

1000.000.380: Standard Configuration inc, Mattress, Plastic Case & Wire Basket



# Neonatal Chair



## Neonatal Chair 87212

The Neonatal Chair is thoughtfully engineered to support both parents and caregivers during extended newborn care in neonatal units and maternity settings. It offers electric height adjustability from 47 to 85 cm, facilitating optimal positioning for breastfeeding and skin-to-skin contact.

Compact yet functional, the chair's ergonomic design takes up significantly less space than a hospital bed without compromising usability.

It provides exceptional back and neck support through anatomically contoured upholstery, and is built for clinical durability with edge-banded backrests to prevent dirt accumulation and simplify cleaning.

Safety and compliance are paramount: the Neonatal Chair is CE marked under MDR 2017/745 and meets the latest EMC (electromagnetic compatibility) standards for medical electrical devices



Code	Headrest	Backrest (W x H)	Seat (W x D)	Footrest
87212+COLOUR CODE	52 x 35cm	52 x 52cm	52 x 48cm	44 x 33cm

Code	Armrest Pad ( W x L)	Seat Height	External Dims	SWL
87212+COLOUR CODE	12 x 63cm	44-84cm	180 x 76cm	140kg

### Colour Code



-0019



-0018



-0002



-0015



-0017



-0014



-0007

# Paediatric Cots



## CHILD ASSURE Paediatric Cots

The Child Assure series offers purpose-built pediatric cots that prioritise child comfort, caregiver access, and clinical safety in busy neonatal and pediatric care settings.

The standard Child Assure Cot features a fixed height of 740 mm, an epoxy-coated steel frame with corner bumpers, and transparent side rails that offer 360° visibility while meeting strict entrapment safety standards. It offers a Trendelenburg tilt of  $\pm 13^\circ$  via a hydraulic lever.

The Child Assure Care Cot extends functionality with electric height adjustability (62–92 cm) and electric Trendelenburg/reverse Trendelenburg tilt up to  $\pm 16^\circ$ . It includes clinician-operated handset controls, a quick-release backrest for emergency lowering, sturdy side rails with seven-position sliding adjustment.

For intensive care needs, the Child Assure Intensive Cot features four independent compact HPL panels for flexible patient positioning, hydraulic tilt functionality ( $\pm 7^\circ/\pm 18^\circ$ ), and added hygiene and durability components such as an ABS-covered base with oxygen bottle storage.

Code	Dims	Back Section Dims	Fixed Section Dims	Leg Section Dims	SWL
CHILDASSURE-001	86 x 136.5	N/a	N/a	N/a	85kg
CHILDASSURE-002	157.5 x 155cm	N/a	N/a	N/a	85kg
CHILDASSURE-003	85.5 x 154cm	66 x 55cm	70.5 x 9.5cm	66 x 25cm	90kg

Code	Foot Section Dims	Backrest Tilt	Leg rest Angle	Height Adj	Trendelenburg
CHILDASSURE-001	N/a	N/a	N/a	Fixed 75cm	$\pm 13^\circ$
CHILDASSURE-002	N/a	N/a	N/a	58-90cm	$\pm 16^\circ$
CHILDASSURE-003	55 x 32.5cm	72°	36°	56-90cm	$\pm 7^\circ / \pm 18^\circ$

### Configuration

CHILDASSURE-001: Child Assure (Paediatric Cot) - Standard Configuration

CHILDASSURE-002: Child Assure-Care (Paediatric Cot) - Standard Configuration

CHILDASSURE-003: Child Assure-Intensive (Paediatric Cot) - Standard Configuration

Accessories	Code
IV Pole for Paediatric Cot	CHILD-AC001
Polyurethane Mattress with Cover (Child Assure)	CHILD-AC002
Polyurethane Mattress with Cover (Child Assure-Care/Intensive)	CHILD-AC003

All models include integrated accessories and safety-oriented design, such as IV and mosquito net sockets, built-in bumpers, and sealed surfaces, tailored to infection control and child safety. The range meets Regulation (EU) 2017/745 compliance and is built to serve the unique demands of pediatric environments.





# Hospital Beds & Stretchers

Discover our range of high-quality hospital beds and patient stretchers, designed for comfort, durability, and ease of use in demanding clinical environments. From everyday ward beds to specialist transport solutions, Medi-Plinth products support effective patient care and efficient healthcare delivery. Whether for patient transport or long-term care, these solutions offer exceptional comfort, safety, and ease of operation—supporting both caregivers and patients across all care settings.



## Care Sure

The Care Sure Patient Hospital Bed range ensuring healthcare professionals provide the highest level of care. Designed for versatility across acute, long-term, and specialist care environments.



## Motion Stretcher

The Motion Stretcher range is designed to meet the demands of fast-paced clinical environments where patient transport, comfort, and safety are paramount.



## Emergo Trolleys

The Emergo Patient Trolley is a high-performance, multi-purpose patient transport and treatment platform designed to meet the demanding requirements of modern healthcare environments.



## Care Sure Hospital Bed



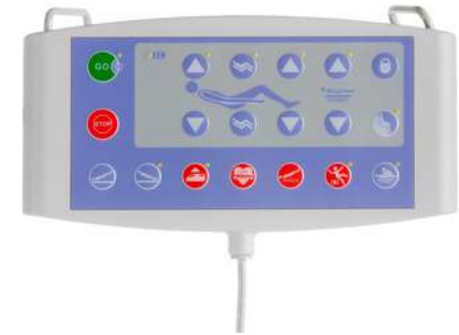
In today's healthcare environments, flexibility, safety, and ease of use are more critical than ever. The Care Sure Patient Hospital Bed is built to meet these evolving demands—supporting care teams and patients across a wide range of clinical scenarios. Whether in fast-paced hospital wards, high-dependency units, or long-term care facilities, Care Sure offers a dependable foundation for daily care, recovery, and dignity.



Designed for  
Every Stage of Care.

Developed with input from frontline healthcare professionals, Care Sure focuses on simplifying everyday routines while maximising patient comfort and support. Its adaptable design integrates seamlessly into diverse care settings, helping streamline workflows and reduce physical strain on staff. Every element from its intuitive controls to its smooth, quiet operation is crafted to enhance the overall care experience.

# Care Sure Patient Hospital Bed



## CARESURE-001

The Care Sure bed delivers a superior blend of simplicity, durability, and patient-focused functionality, making it an ideal platform for modern hospital wards. Built around a stable scissor-lift mechanism mounted on an epoxy-coated steel frame.

Four independent HDPE side rails comply with EN 60601-2-52, featuring single-hand gas-spring operation and folding to within 7.5cm of the frame, complete with built-in angle indicators. An integrated “help to stand” support button assists patient mobilization, while automatic repositioning, lowering the back by 15cm and the foot section by 7cm. A pull-out linen shelf and bed position alarm at a 30° backrest angle support both workflow and patient safety.

Synchronized bed adjustments are managed via intuitive pictogram controls. The bed features a clinician handset, patient handset, and nurse panel, each with pre-set positions (e.g. Trendelenburg, cardiac chair and CPR). Handling is smooth with centrally controlled braking and 150mm antistatic double wheels for stability and seamless mobility.

Code	Ext Dims	Surface	Height Adj	Back Tilt	Leg Tilt	Foot Tilt
CARESURE-001	223 x 98cm	200 x 85cm	39 - 77cm	67°	28°	19°

Trendelenburg	Back autoreg	Foot autoreg	SWL	Weight w/o Accessories
±16°	15cm	7cm	250kg	150kg



Accessories	Code
Adjustable IV Pole	CARE-AC006
Lifting Pole	CARE-AC007
Unbraked Wheel Alarm	CARE-AC005
5th Wheel	CARE-AC001
Oxygen Bottle Holder	CARE-AC008
Table for Footboard	CARE-AC009
Foot Pedal for Height Adj	CARE-AC003
Foot Pedal for Examination & Exit Position	CARE-AC004



 **Mattress included as standard.**

## Controls

Clinician handset (outside of rail)  
Activation/override of different functions of the bed. Incorporates pre-programmed functions (Trendelenburg, CPR, cardiac chair and exam position).

Patient handset (inside of rail)  
Position sections of the backrest, back/foot and height, activation of the "GO" button and the night light under the bed. It has pre-programmed functions i.e patient exit button and sitting position.

Nurse handset (external)  
Allows medical staff to control the bed from different locations. Includes practical default functions and activation of security alarm. Allows activation/override of the adjustment functions, individually or synchronously, using the "STOP" button.

## Comfort

Four independent HDPE side rails that comply with EN 60601-2-52 standards. Each include gas spring dampers to allow for single-hand operation. Side rails use an innovative mechanism allowing them to fold closely to the bed frame (no more than 7.5 cm). Each has an integrated angle indicator.

'Help to stand up' button – Aids safe patient transfer with control of bed positioning.

Automatic positioning system to allows lowering of the back section (by 15 cm) and leg regression (by 7 cm) for protection against bedsores. Integrated pull-out linen shelf, providing linen storage whilst changing bed linen. Automatic alarm sounds when bed backrest is positioned at 30°.

## Positioning

Foot section includes electrically controlled knee break allowing for five positions.

The cardiac chair position is critical for patients with heart and breathing problems, helping to enhance their recovery. This feature is activated simply by pressing a lever.

Exit position button, reduces height and feet section to lowest position, whilst back is elevated to 67° allowing for easy transfer.

Centralised braking system and steering facility. Medical grade double wheel anti-static castors Ø 150 mm allows better manoeuvrability and stability when subjected to heavy loads

# Care Sure Intensive



## CSINTENSIVE-001

The Care Sure Intensive is a high-dependency and intensive care solution specifically engineered for critical care units, high-acuity wards, and environments where patient stability, staff safety, and emergency responsiveness are paramount.

Compared to the standard Care Sure Bed, it features enhanced safety systems such as advanced side rails compliant with EN 60601-2-52, emergency CPR functions, anti-trapping sensors, visual and audible alarms, and under-bed lighting for night use. It also offers anti-shear backrest regression, fifth-wheel manoeuvrability, and higher-level ergonomics for frequent repositioning and monitoring. Ergonomic controls are available for both patients and staff, with lockable functions, emergency CPR positioning, and an audible alarm when the backrest reaches a 30° angle. Additional safety features include under-bed lighting with visual height indicators, anti-trapping sensors that halt motion if an obstruction is detected, and centralised braking with an alarm system to ensure secure positioning. For patient comfort, anti-shear regression in the backrest and leg section reduces pressure points, while the high-density mattress is upholstered in antimicrobial, anti-static materials.

Code	Ext Dims	Surface	Height Adj	Back Tilt	Leg Tilt	Foot Tilt
CSINTENSIVE-001	223 x 98cm	200 x 85cm	42.8-74.8cm	67°	28°	19°

Trendelenburg	Back autoreg	Foot autoreg	SWL	Weight w/o Accessories
±16°	15cm	7cm	250kg	150kg



Accessories	Code
Adjustable IV Pole	CARE-AC006
Lifting Pole	CARE-AC007
Unbraked Wheel Alarm	CARE-AC005
5th Wheel	CARE-AC001
Oxygen Bottle Holder	CARE-AC008
Table for Footboard	CARE-AC009
Foot Pedal for Height Adj	CARE-AC003
Foot Pedal for Examination & Exit Position	CARE-AC004

 **Mattress included as standard.**



## Controls

The Care Sure Intensive is equipped with multiple control options to support critical care environments. A dedicated clinician handset, located outside the rails, allows activation and override of all key bed functions, including emergency CPR positioning, Trendelenburg and reverse Trendelenburg, and rapid access to examination or cardiac chair modes.

The integrated patient handset, located within the side rails, offers adjustment of backrest, height, and leg section, enabling patients to control their own comfort where appropriate.

An external nurse control panel provides supervisory management of all settings, with lockout features and a "STOP" safety function for immediate intervention. Pre-programmed functions support efficient clinical response while reducing manual handling.

## Comfort

The Care Sure Intensive incorporates advanced design features to enhance patient well-being during extended hospital stays or critical care.

Ergonomically engineered side rails with EN 60601-2-52 compliance provide safety without compromising accessibility. Anti-shear backrest regression reduces pressure on the spine and prevents skin shear, while smooth, antimicrobial surfaces and premium-grade upholstery ensure infection control and durability.

Mattress integration is optimised for high-dependency use, with positioning systems that aid patient transfer and support therapeutic postures. The bed also includes under-bed lighting for safe nighttime care and quiet motor operation to maintain a calm, healing environment.

## Positioning

Engineered for maximum clinical flexibility, the Care Sure Intensive provides electrically controlled, multi-section adjustment of backrest, seat, thigh, and footrest sections.

Its design allows precise Trendelenburg and reverse Trendelenburg positioning, as well as emergency CPR flattening at the push of a button. The cardiac chair position is easily activated to support patients with respiratory or circulatory needs, while the exit position lowers the bed for safe transfers and raises the backrest to assist standing.

The integrated fifth wheel ensures effortless manoeuvrability even in confined spaces, supported by a central braking system and heavy-duty anti-static castors that maintain stability under full load conditions.

# Emergo Patient Trolley



## 6280 & 6380 Patient Trolleys

The Emergo patient trolleys are purpose-built to deliver reliable performance in patient transfer, examination and treatment across multiple hospital departments.

Constructed with a strong steel frame and high-quality components, these models combine stability, safety and ease of handling to withstand the heavy daily use of acute healthcare environments. Each trolley features a smooth, ergonomic design for infection control, with drop-down side rails for patient safety and height-adjustable sections to accommodate clinical procedures.

6280 features a two-section X-ray-compatible platform with subframe, streamlining imaging workflows by allowing scans to be conducted without having to move the patient. The 6380 enhances versatility with a three-section X-ray platform plus subframe, enabling independent backrest and leg section adjustment, ideal for more complex clinical positioning needs.

Both models are equipped with centrally locking, 150 mm antistatic castors. Designed for long-term reliability, these trolleys support a range of accessories including IV poles, oxygen cylinder holders, baskets and trays, making them an adaptable investment for healthcare facilities.

Code	Width	Patient Surface Width	Length	Weight	Height Adj	SWL
6280	75cm	70.5cm	215cm	105kg	62.5-99.5cm	225kg
6380	75cm	70.5cm	215cm	110kg	62.5-99.5cm	225kg

Code	Trendelenburg	Anti-Trendelenburg	Back Adj	Leg Adj	Base Sections
6280	14°	7°	0 - 70°	N/a	2
6380	14°	7°	0 - 70°	0 - 45°	3



### Configuration

6280: 2-part X-ray bed w/ subframe, hydraulic height adjustment, gas assisted Trendelenburg & back section

6380: 3-part X-ray bed with hydraulic height adjustment, gas assisted Trendelenburg, back section & leg section



### Antistatic Trolley Mattress (Accessory)

Trolley mattresses are designed for transport and X-ray stretchers. The interior is made of fire-resistant flexible foam. The interior of model 51701 (10 cm) consists of two layers: on the surface there is a softly forming visco-elastic layer to equalize tissue pressure. The top layer is a PU-coated antistatic black hygienic fabric that is impermeable to liquids but breathable. The zipper is protected by a drip flap. The mattress has Velcro strips on the bottom and four Velcro strips on the sides to keep the product in place.

Accessories	Code
Wire Basket Under Back Section	10000582
Paper Roll Holder	10000733
Long Push Bars, Detachable (pair)	100006770
Patient Restraining Straps (set)	100000790
Push bar, Foldable	100006793
Oxygen Bottle Holder (5kg Bottles)	100000589
Oxygen Bottle Holder (2kg Bottles)	100005860
Infusion Rod, 4-hooks	100000499
Hygiene Antistatic Mattress (50mm, 80mm or 100mm thick)	100051751
Trolley Bed End	100000567
Wire Basket (requires trolley end)	128009784



# Motion Transfer Stretchers



## MOTION-002/MOTION-004

The Motion Stretcher features a two-section platform constructed from impact-resistant HPL, ideal for straightforward patient transport and short-term care.

For enhanced clinical functionality, the Motion Stretcher Plus (Motion-004) offers a four-section platform and full hydraulic control of backrest height, Trendelenburg and reverse Trendelenburg positioning, operated via accessible foot pedals on either side.

Both models include high-density, ergonomically contoured mattresses, antimicrobial covers, and integrated folding side rails for patient safety and comfort.

Additional features such as a X-ray translucent platform, and corner-mounted bumpers ensure ease of manoeuvrability, diagnostic access, and protection during frequent use. Built for continuous use in high-demand hospital settings, the Motion Stretcher range combines stability, safety, and ease of operation in a cost-effective, long-life solution.

Code	Dims	Backrest Dims	Legrest Dims	Footrest Dims	Backrest Tilt
MOTION-002	218 x 82cm	62 x 71cm	66 x 116cm	N/a	90°
MOTION-004	210 x 82cm	62 x 71cm	62 x 34cm	62 x 47cm	90°

Code	Legrest Tilt	Trendelenburg	SWL	Weight w/o Accessories
MOTION-002	N/a	±18°	310kg	100kg
MOTION-004	35°	±18°	310kg	100kg



Accessories	Code
Patient Transfer Table	MOTION-AC001
Arm Supports for Motion Stretcher	MOTION-AC003
Paper Roll Holder	MOTION-AC004
Full Length RX Cassette Holder	MOTION-AC005
Footboard with Monitor Table	MOTION-AC006
Oxygen Bottle Holder with Wheels	MOTION-AC008



**Mattress included as standard.**



## Handling

Both models are engineered for smooth handling and easy maneuverability, even in tight or high-traffic areas. Folding handles to facilitate handling of the stretcher during transfer and centralised brake and directional lock via pedal located on each wheel.

A 5<sup>th</sup> wheel is also as standard on models assisted via gas strut. Hydraulically operated backrest and height adjustment from 66–97.5 cm hydraulic with Trendelenburg positions of (+/-18°).

Bilateral foot pedals at either side of the stretcher also control height, Trendelenburg and reverse Trendelenburg adjustment.



## Comfort

Patient comfort is central to the design of these stretchers. Both models feature a high-density polyurethane mattress, ergonomically contoured to support the patient's body and upholstered in an antimicrobial, anti-static cover that is soft to the touch and easy to clean.

The surface materials are moisture-resistant and smooth, reducing skin shear and making the stretcher suitable for extended use without compromising patient well-being.

Its smooth surfaces allow easy, fast cleaning and disinfection. The mattress is included as standard and is also x-ray permeable. The bed also features IV Pole support on all four corners.



## Safety

Safety features include: X-ray translucent platform 10cm height mattress complies with BS 7176 (Medium Hazard).

The integrated side rails help secure the patient: their lowest position does not exceed mattress height, making transfers simpler and safer.

Protective buffers are located on each corner of the stretcher and ABS base cover protects the stretcher mechanism and facilitates easy cleaning.

Folding side rails with 29cm distance between vertical bars allow easy and safe handling without risk of entrapment. Conforms to Regulation (EU) 2017/745.



# Ward Furniture

Medi-Plinth's Ward Furniture range offers a selection of practical, durable, and easy-to-clean items designed to support the day-to-day needs of busy healthcare environments. From mobile drip stands and ward screens to robust bedside lockers, overbed tables, clinical waste bins, and sack holders, each product is built for functionality, hygiene, and long-term reliability. Designed with both patients and staff in mind, this range ensures that ward spaces remain organised, efficient, and compliant with modern healthcare standards.



## Easy-Clean Range

The Easy Clean Ward Furniture Range by Medi-Plinth is purpose-built to meet the daily demands of modern healthcare settings, where hygiene, durability, and ease of use are non-negotiable.



## Bins & Sackholders

Our bins and sack holders are designed for safe and hygienic waste management, featuring hands-free operation, sturdy frames, and compatibility with standard clinical waste systems.



## IV Poles & Ward Screens

Our height-adjustable IV poles are stable, land mobile while our ward screens provide quick and effective privacy with smooth, wipe-clean panels and easy manoeuvrability, ideal for busy clinical spaces and multi-patient areas



## 3-Panel Ward Screen

Ward Screens



From storage to mobility, waste control to patient support, ward furniture plays a vital role in the smooth operation of any healthcare setting. Medi-Plinths Ward Furniture range has been developed to meet the everyday demands of hospitals, clinics, and care facilities, offering practical and durable solutions that support both staff workflow and patient wellbeing.



Designed for  
Every Stage of Care.

Each item is thoughtfully designed to complement busy clinical environments, promoting organisation, cleanliness, and accessibility. Whether supporting bedside care, ensuring privacy, or streamlining waste management, the range is built to stand up to frequent use and rigorous cleaning routines.

# Bins & Sackholders



## BIN020/50/70

The Shuttleworth Soft Close Bin range, available in 20-litre, 50-litre and 70-litre models, is engineered to meet the stringent hygiene and durability standards required in healthcare waste management.

Each bin is constructed from robust mild steel and coated in a high-quality white epoxy finish that is resistant to damage and allows for easy decontamination in compliance with infection control protocols. The soft-close pedal lid mechanism reduces noise and limits airborne particle spread during use.

All models are equipped with rear castors for smooth relocation, and an ergonomically positioned pedal system that allows hands-free operation to minimise cross-contamination. The bins are compatible with a full range of lid colour options to facilitate waste stream segregation in accordance with NHS HTM 07-01 guidelines, making them suitable for general, medical, anatomical, cytotoxic and offensive waste disposal. Built to withstand continuous daily use, these bins deliver a long service life and consistent performance.

Code	Description	Dimensions	Weight
BIN020+LID COLOUR CODE	20 Litre Bin	27.5 x 34 x 50cm	9kg
BIN050+LID COLOUR CODE	50 Litre Bin	39.5 x 41 x 58.5cm	11kg
BIN070+LID COLOUR CODE	70 Litre Bin	39.5 x 41 x 75cm	12.5kg

### Lid Colours

- White Lid- General Use/ Amalgam
- Black Lid- Domestic Waste
- Blue Lid- Medical Waste For Incineration
- Purple Lid- Cytotoxic & Cytostatic Waste
- Red Lid- Anatomical Waste For Incineration
- Orange Lid- Waste Which May Be Treated
- Yellow Lid- Waste for Incineration
- Yellow & Black Lid- Offensive/ Hygiene Waste



# Bins & Sackholders



## BINSH020/50/90

The Shuttleworth Sack-Holder Bins offer a practical, hands-free solution for healthcare waste management. Designed with corrosion-resistant materials and a smooth, easy-to-clean finish, these free-standing bins operate via soft-close foot pedals to minimize noise and maintain a hygienic environment. Each unit comes fully assembled with an elasticated cord and finger loop for secure bag placement, ensuring fast setup and reliable use.

Available in 20L, 70L, and 90L capacities, the bins are engineered to match different clinical demands, compact models suit consultation rooms, mid-size units work well in treatment areas, and larger bins serve high-traffic zones efficiently.

Offered with HTM 07-01-compliant colour-coded lids, the range supports correct segregation of clinical waste in accordance with infection control standards.

Code	Description	Dimensions	Height With Lid Up
BINSH020+LID COLOUR CODE	20 Litre Bin	58.7 x 23.5 x 28cm	81.9cm
BINSH070+LID COLOUR CODE	70 Litre Bin	81.4 x 40 x 39cm	113.3cm
BINSH090+LID COLOUR CODE	90 Litre Bin	93.4 x 40 x 39cm	125.3cm

### Lid Colours

White Lid- General Use/ Amalgam

Black Lid- Domestic Waste

Yellow Lid- Waste for Incineration



ADD -WHT



ADD -BLA



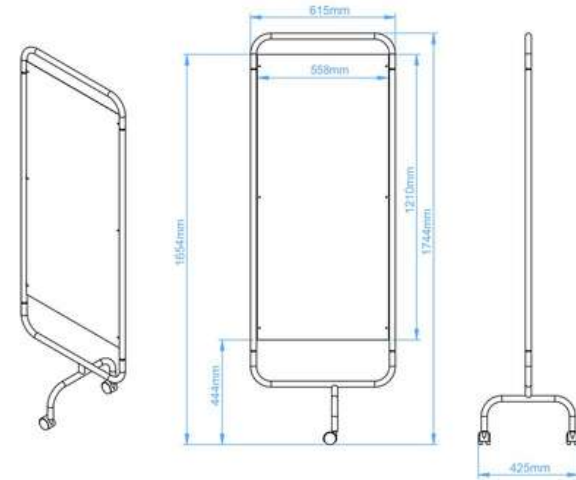
ADD -YEL



Find our products on the NHS Supply Chain Catalogue



# Ward Screens



## MWS001, MWS003, MWS005

The Shuttleworth Mobile Ward Screens offer a versatile, hygienic solution for creating both permanent and temporary privacy zones in clinical environments.

Designed with infection control in mind, the screens feature durable, corrosion-resistant frames coated in white epoxy, with hygienic PVC panel inserts that are simple to clean and disinfect.

Supplied fully assembled, they are easily manoeuvrable on smooth swivel castors and offer convenient fold-up design for compact storage.

This range delivers a robust, reliable, and hygienic privacy solution, particularly useful for adaptable healthcare settings where space, safety, and cleanliness are paramount.

These ward screens have been used heavily within the NHS for COVID-19 vaccine centres across the country.

Code	Total Width	Total Height	Total Depth	Each Panel Dimensions
MWS001	184.5cm	174.5cm	42.5cm	121 x 56cm
MWS003	246cm	174.5cm	42.5cm	121 x 56cm
MWS005	307.5cm	174.5cm	42.5cm	121 x 56cm

### Configuration

- MWS001: 3 Panel Ward Screen, Solid Panels- White
- MWS003: 4 Panel Ward Screen, Solid Panels- White
- MWS005: 5 Panel Ward Screen, Solid Panels- White



Find our products on the NHS Supply Chain Catalogue



# IV Poles



## IVDST001/002/003/004, DST003

Medi-Plinth's Shuttleworth IV Poles are CE marked Class I Medical Devices, engineered for safe and reliable fluid administration in a range of healthcare settings. Built for stability and ease of use, these drip stands feature a quick-clip drop catcher, two or four hook configurations, and handle on models with a weighted base for enhanced manoeuvrability.

To reduce transport costs and environmental impact, IV poles are supplied flat-packed, while models with bases include five ESD swivel castors, two of which lock for added control.

A two-hook wall-mounted option is also available for space-limited areas.

Fully compliant with BS ISO 15375:2010, the Shuttleworth IV Pole range is a dependable, flexible solution for modern clinical care.

Code	Base Diameter	Adjustable Height	Hooks
IVDST001	Ø 71 cm	129-204cm	2
IVDST002	Ø 71 cm	129-204cm	2
IVDST003	Ø 71 cm	129-204cm	4
IVDST004	Ø 71 cm	129-204cm	4
DST003	N/a	60.8-120cm	2

### Configuration

IVDST001: Two Hook IV Drip Stand, Stainless Steel, Flat Packable

IVDST002: Two Hook IV Drip Stand, Stainless Steel with Weighted Base, Flat Pack

IVDST003: Four Hook IV Drip Stand, Stainless Steel, Flat Packable

IVDST004: Four Hook IV Drip Stand, Stainless Steel with Weighted Base, Flat Pack

DST003: Two Hook Drip Stand, Stainless Steel, Wall Mounted

# Easy Clean Overbed Tables



## ECOBT01/02/03/04/05/06/07

Medi-Plinth Easy Clean Overbed Tables are designed to deliver dependable, hygienic, and versatile surface space for use in hospitals, care homes, and clinical facilities. Manufactured to BS 2483:1977 standards, they combine robust steel frames with a high-quality top surface that is easy to sanitise and withstands regular cleaning with NHS-approved solutions.

Available in white or beech finishes and with flat, lipped, or recessed top designs, they accommodate varied clinical and patient needs while maintaining a professional, modern appearance. With a safe working load of 25 kg, anti-entrapment safety features, and FIRA certification, Medi-Plinth overbed tables deliver dependable performance and patient-focused design backed by a 3-year manufacturer warranty.

The ECOBT07 Tilting Table offers excellent stability while maintaining a minimal footprint, making it ideal for use in confined clinical spaces. The integrated anti-slip retainer ensures items remain secure during use, while 360° swivel castors allow effortless positioning and manoeuvrability. Featuring a smooth height adjustment and a tilting tabletop of up to  $\pm 33^\circ$ .

Code	Total Width	Adjustable Height	Total Depth
ECOBT01+COLOUR CODE	90cm	79-118.5cm	40cm
ECOBT02+COLOUR CODE	90cm	79-118.5cm	40cm
ECOBT03+COLOUR CODE	90cm	79-118.5cm	40cm
ECOBT04+COLOUR CODE	90cm	79-118.5cm	40cm
ECOBT05+COLOUR CODE	90cm	79-118.5cm	40cm
ECOBT06+COLOUR CODE	90cm	79-118.5cm	40cm
ECOBT07	68cm	70-103.6cm	47.7cm

## Configuration

- ECOBT01: 'C' leg base with flat top
- ECOBT02: 'C' leg base with upstand top
- ECOBT03: 'C' leg base with recessed top
- ECOBT04: Straight leg base with flat top
- ECOBT05: Straight leg base with upstand top
- ECOBT06: Straight leg base with recessed top
- ECOBT07: 'H' Shaped Base, Tilting Top - White



-LO



-GMG



-W

# Easy Clean Bedside Lockers



+BSL014



+BSL012



+BSL020



## ECBSL01/02/03

Medi-Plinth Easy Clean Overbed Tables are designed to deliver dependable, hygienic, and versatile surface space for use in hospitals, care homes, and clinical facilities.

Built for hygiene, strength, and longevity, each unit is independently FIRA tested and certified to BS EN 16121:2013 (Level 2) for safety, strength, and durability.

With bolted-through castors and fixings, the lockers offer long-term stability and easy cleaning.

Available in white, oak, or grey finishes, each locker includes a lockable drawer or flap, a spacious cupboard with twin doors, and the option for cam, RFID, or digital locking, providing secure storage for patient belongings.

Optional features such as a spill-resistant plastic top, towel rail, or washbowl holder further enhance functionality.

Designed to BS 1765-2:1976 and backed by a 3-year manufacturer warranty, this range delivers dependable, hygienic storage tailored for modern healthcare.

Code	Width	Depth	Height
ECBSL01+LOCK TYPE+COLOUR CODE	47cm	53cm	98cm
ECBSL02+LOCK TYPE+COLOUR CODE	47cm	53cm	98cm
ECBSL03+LOCK TYPE+COLOUR CODE	47cm	53cm	98cm



### Configuration

ECBSL01: Cupboard & Lockable Drawer

ECBSL02: Cupboard, Lockable Drawer & Shelf

ECBSL03: Cupboard & Lockable Flap



### Lock Type



-RFID



-CL



-DL



### Top Colours



-GMG



-LO



-W



# Flexline Phlebotomy Cart



## FLXIV Phlebotomy Cart

The Metro Flexline Phlebotomy Cart is built to enhance efficiency, security, and hygiene within healthcare-grade blood collection workflows.

Built from lightweight polymer with ergonomic push handles and smooth-rolling casters, it moves easily through busy healthcare environments and positions neatly at the point of care. The self-closing drawers offer full access and can be secured with serialized plastic security tags to maintain chain-of-custody integrity, while both a key lock and an electronic keypad provide controlled access for authorised personnel.

The cart features a practical combination of three drawer depths (7.5 cm, 15.2 cm, and 22.9 cm) paired with dividers, an ampule insert tray, an IV pole, and a sharps bin holder to keep essential items organised and within reach. A generous flat work surface on top supports preparation and procedural tasks, while Microban antimicrobial protection helps maintain infection control. The cart balances compact form with sufficient capacity, making it an efficient, durable, and secure solution for phlebotomy and other point-of-care applications.



Code	Width	Length	Height	Weight
FLXIV	82cm	56cm	98cm	80kg

## Configuration

FLXIV: Phlebotomy Cart with Key Lock System & Electronic Keypad Locking System, 3 x 7.5Cm, 1 x 15.2cm & 1 x 22.9cm Deep Drawers with Red Drawer Pulls. Accessories: 2 x 75mm Drawer Divider Kit, 1 x 152/229mm Drawer Divider Kit, 1 x Ampule Insert & Divider Tray, IV Pole & Sharps Bin Holder

Accessory	Code
3" Drawer Divider Kit for Flexline	FL113
6"/9" Drawer Divider Kit for Flexline and Lifeline Carts	FL116
Flexline Oxygen Tank Holder, All Size Carts, 4" Diameter Tank	FL234
Adjustable Defibrillator Tray for Lifeline and Flexline Carts	LEC304

# Flexline Anaesthesia Cart



## FLANES1XP Anaesthesia Cart

The Flexline Anaesthesia Cart is purpose-built for high-security clinical environments where controlled storage and seamless workflow are essential.

Crafted from lightweight yet robust polymer with integrated antimicrobial Microban protection, the cart ensures hygiene is maintained between cleanings while offering gentle maneuverability via built-in handles and smooth polyurethane castors

Security is a core feature with each self-closing, full-access drawer is equipped with an individual key lock and serialised plastic seals to uphold protocols. An optional electronic keypad with LCD display elevates access control, allowing enhanced security management.

Storage is versatile and efficient, combining a range of drawer depths (7.5cm, 15.2cm, and 22.9cm) with included dividers and accessories such as ampoule trays, side bins, a waste basket, peel-pouch catheter holders, overbridge hanger rails, and tilt bins. A spacious top surface supports procedural prep or documentation with ease.

Code	Width	Length	Height	Weight
FLANES1XP	55.6cm	81.9cm	114.9cm	91kg

## Configuration

FLANES1XP: Anaesthesia Cart with Key Lock System & Electronic Keypad Locking System, 1 x 75mm Key Locking Drawer, 2 x 7.5cm, 1 x 15.2cm & 1 x 22.9cm Deep Drawers with Blue Drawer Pulls. Accessories: 1 x 75mm Drawer Divider Kit, 2 x 152/229mm Drawer Divider Kit, 4 Locking Side Bins, Wastebasket & Holder, Peel Pouch Catheter Holder, Overbridge With 2 Hanger Rails & 1 Set of 4 Tilt Bins & 1 Set of 6 Tilt Bins Security Seals

Accessory	Code
3" Drawer Divider Kit for Flexline	FL113
6"/9" Drawer Divider Kit for Flexline and Lifeline Carts	FL116
Flexline Oxygen Tank Holder, All Size Carts, 4" Diameter Tank	FL234
Adjustable Defibrillator Tray for Lifeline and Flexline Carts	LEC304

# Lifeline® Emergency Carts



## LECCRP4 Emergency Carts

The Metro LECCRP4 Lifeline Crash Cart is purpose-built for fast, reliable response in emergency care environments. Its advanced polymer construction with integrated Microban® antimicrobial protection ensures long-lasting durability and supports strict infection control standards. Integrated push handles, and large 5-inch swivel casters with a fifth-wheel steering assist provide effortless manoeuvrability in tight or busy clinical spaces.

The cart features two 3-inch, one 6-inch, and one 12-inch deep drawer, allowing rapid access to essential equipment. Tamper-evident security seals help prevent unauthorised access.

Each unit comes complete with side storage bins, a defibrillator tray, suction pump shelf, IV pole mount, oxygen tank holder, and backboard kit.

Available in both blue and red drawer pull options, the LECCRP4 allows departments to colour-code carts for specific clinical functions, improving workflow and reducing critical response time.



Code	Width	Length	Height	Weight
LECCRP4	57.4cm	96.5cm	106.9cm	90.7kg

### Configuration

LECCRP4XP: Lifeline Crash Cart with Passive Lock System, 2 x 7.5cm, 1 x 15.2cm & 1 x 30.5cm Deep Drawers with Blue Drawer Pulls. Inc. 3 Locking Side Bins, Defib Platform, Backboard, IV Pole, Gel Bin, Security Seals

LECCRP4XPR: Lifeline Crash Cart with Passive Lock System, 2 x 7.5cm, 1 x 15.2cm & 1 x 30.5cm Deep Drawers with Red Drawer Pulls. Inc. 3 Locking Side Bins, Defib Platform, Backboard, IV Pole, Gel, Security Seals

Accessory	Code
3" Drawer Divider Kit for Flexline Lifeline Carts	FL113
6"/9" Drawer Divider Kit for Flexline and Lifeline Carts	FL116
Top Cavity Tray	LEC143
Plastic Security Seals for Lifeline Carts, 100 Pack	LEC320
Suction Pump Shelf for Lifeline and Flexline Carts	LEC306

# Starsys Anaesthesia Cart



## SXRSANES Anesthesia Cart

The Metro Starsys Anesthesia Cart is an innovative solution designed to meet the demanding needs of healthcare professionals. Engineered for efficiency and durability, this cart offers secure, organized storage for anesthesia supplies, ensuring seamless access in high-pressure medical environments.

The cart's compact footprint makes it ideal for theatres, anaesthetic zones, and tight storage areas, while still providing ample storage organization and functionality.

Key lock security, combined with optional electronic keypad access and controlled access limits, ensures sensitive medications and supplies remain secure, making it especially suitable for controlled medication storage areas.

Mobility is streamlined through robust 5" swivel castors, with front Total-Lock toe brakes that secure both wheel and castor minimising movement during stationary use. The Starsys Anesthesia Cart with Key Lock integrates durability, security, and infection control into a practical and adaptable storage system.



Code	Width	Depth	Height	Weight
SXRSANES	63cm	86.6cm	113cm	104kg

### Configuration

SXRSANES: Starsys Anaesthesia Cart with Key Lock System, 4 x 15.2cm & 1 x 22.9cm Deep Drawers.

### Including:

- Left & Right Side Pods with Locking Tilt Bins (3 per side)
- Wastebasket & Holder
- Peel Pouch Catheter Holder
- Overbridge with 2 Hanger Rails & Universale Clamp
- Full & Half Size Utility Bin
- Tape Dispenser
- 6 Plastic Utility Bins



# Starsys Catheter Storage Cabinet



## SXRS76MCATH1/ SXR76MCATH1

The Starsys Mobile Catheter Storage Cabinet is designed to deliver an efficient, hygienic, and highly adaptable solution for catheter management in healthcare environments. Its streamlined, modular system combines aesthetics, cleanliness, and operational flexibility which is ideal for busy wards, theatres, or transport hubs.

Constructed from advanced polymer with integrated Microban® antimicrobial protection, these units resist bacterial growth while simplifying routine cleaning and disinfection protocols. Standard configurations include full-extension catheter slides with visual labels and sturdy hooks, enabling quick access and visual inventory control. The single-unit model houses one shelf, three slides, 15 hooks, and 30 labels, supporting storage for up to 180 catheters, with capacity expandable using additional hooks. The double-unit version doubles the system, offering two shelves, six slides, 30 hooks, and space for 360 catheters.

Cabinets include secure left-hinged 270° swing doors, each with an M300-series key lock and two keys, ensuring safe storage during movement and transit.



Code	Width	Depth	Height	Weight
SXRS76MCATH1	57.6cm	63.2cm	199cm	100kg
SXR76MCATH1	107.9cm	63.2cm	199cm	136kg

## Configuration

SXRS76MCATH1: Mobile Single Catheter Unit with 1 Catheter Shelf, Locking Doors, 3 Slides, 15 Hooks and 30 Labels. Capacity 180 Catheters

SXR76MCATH1: Mobile Double Catheter Unit with 2 Catheter Shelf, Locking Doors, 6 Slides, 30 Hooks and 30 Labels. Capacity 360 Catheters



# Super Erecta® Slanted Shelving



## Slanted Shelving Units

The Metro Super Erecta Slanted Shelf Racks are a proven storage solution designed to improve organization, stock visibility, and efficiency in demanding healthcare environments. Built from durable, high-quality steel with a chrome or epoxy finish, these racks provide long-lasting reliability while maintaining compliance with hospital hygiene standards.

Each unit features angled shelving that positions sutures or sterile packs for clear visibility and quick access, reducing picking time and supporting effective stock rotation. The slanted design ensures that supplies are always front-facing and easy to retrieve, which is particularly valuable in theatres, surgical wards, and sterile services departments where speed and accuracy are essential.

The racks are mounted on heavy-duty casters, allowing effortless mobility between storage areas and treatment spaces. Despite their robust construction, the system remains adaptable, with adjustable shelves that can be reconfigured to meet changing clinical demands.



Code	Width	Depth	Height	Weight
DC16EC	57.6cm	63.2cm	199cm	100kg
DC36EC	107.9cm	63.2cm	199cm	136kg
DC56EC	57.6cm	63.2cm	199cm	100kg

## Configuration

- DC16EC: 5 Tier Slanted Shelves and 12 Shelf Retainers, Small
- DC36EC: 5 Tier Slanted Shelves and 12 Shelf Retainers, Medium
- DC56EC: 5 Tier Slanted Shelves and 12 Shelf Retainers, Large





# Shuttleworth

With over 65 years of experience our in-house design and manufacturing capability means that many of our products were originally designed in conjunction with staff from the NHS and we continuously strive to innovate and meet the changing needs of the healthcare market, with the advent of new materials and technologies.



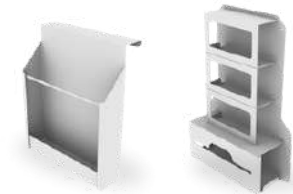
## Trolleys

The Shuttleworth trolley range offers a versatile selection of high-quality medical trolleys. The range includes procedure, dressing, and storage trolleys tailored for clinical efficiency across all healthcare environments.



## Drug Cabinets

Shuttleworth cabinets are designed for durable, hygienic storage in clinical settings. Available in a variety of sizes and configurations, they offer practical storage solutions for equipment, consumables, and patient supplies.



## Dispensers

Designed for quick access and easy cleaning, Shuttleworth Dispensers and Chart Holders support organised and efficient workflows in busy healthcare environments while maintaining high standards of hygiene and durability.



## Medical Storage

Trolleys & Document Transport



Supplying NHS trusts and private healthcare providers across the UK., our range includes robust trolleys, cabinets, dispensers, and chart holders, all designed to meet the demanding standards of clinical environments. With a focus on durability, hygiene, and ease of use, Shuttleworth products support efficient workflows, infection control, and patient care in hospitals, clinics, and specialist care settings.



Designed for  
Every Stage of Care.

Whether outfitting a new facility or upgrading existing equipment, our solutions are designed with input from healthcare professionals to enhance day-to-day functionality and long-term value. With a reputation built on reliability and service, Shuttleworth continues to be a preferred partner for healthcare environments.

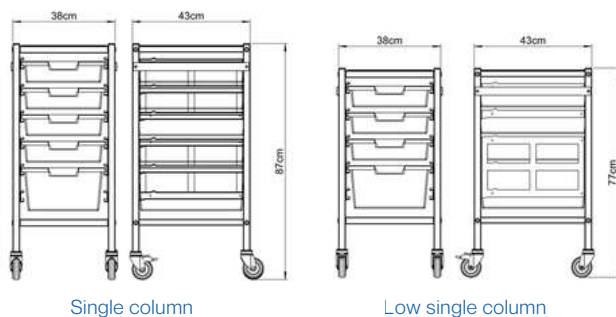
# MST Single/ Low Column

- 1 Choose your column size; Single or Double
- 2 Choose your format; A4 or A3 draw width
- 3 Choose your Configuration; Bow Handles, Enclosed Sides, Lockable Door, All Three, or Standard



## MST Trolleys

The range includes single or double column options in both A4 and A3 formats, with narrow or wide profiles to suit various space and capacity needs. Each trolley can be configured with a choice of four tray arrangements, and all relevant trays are included as standard. Constructed from mild steel and finished in a white epoxy powder coating for easy cleaning. A recessed top tray helps secure items during movement, while 100mm swivel castors ensure smooth manoeuvrability in busy healthcare settings. Trolley dimensions include A4 single column units, A4 double column units and A3 single column options. These trolleys meet the practical demands of NHS and private healthcare providers.



Find our products on the NHS Supply Chain Catalogue



### Configuration- Single Column

- MST001: A4 Single Column, Standard Height
- MST002: A4 Single Column, Standard, Enclosed Sides
- MST003: A4 Single Column, Enclosed Sides, Lockable Door
- MST004: A4 Single Column, Standard, Bow Handle
- MST005: A4 Single Column, Bow Handle, Enclosed Sides
- MST006: A4 Single, Bow Handle, Enclosed Sides, Lockable Door



### Configuration- Low Single Column

- MST007: A4 Single Column, Low Level
- MST008: A4 Single Column, Low Level, Enclosed Sides
- MST009: A4 Single, Low Level, Enclosed Sides, Lockable Door
- MST010: A4 Single Column, Low Level, Bow Handle
- MST011: A4 Single, Low Level, Bow Handle, Enclosed Sides
- MST012: A4 Single, Low, Bow Handle, Enclosed Sides, Lockable Door



# MST Double/ Low Double Column



## ⊕ Accessories



+MST052



+MST055



+MST056



+TRAC02



## Configuration- Double Column

- MST013: A4 Double Column, Standard
- MST014: A4 Double Column, Standard, Enclosed Sides
- MST015: A4 Double Column, Standard, Sides, Lockable Door
- MST016: A4 Double Column, Standard, Bow Handle
- MST017: A4 Double, Standard, Bow Handle, Enclosed Sides
- MST018: A4 Double, Standard, Bow Handle, Enclosed, Lockable



+TRAC03



+TRAC04

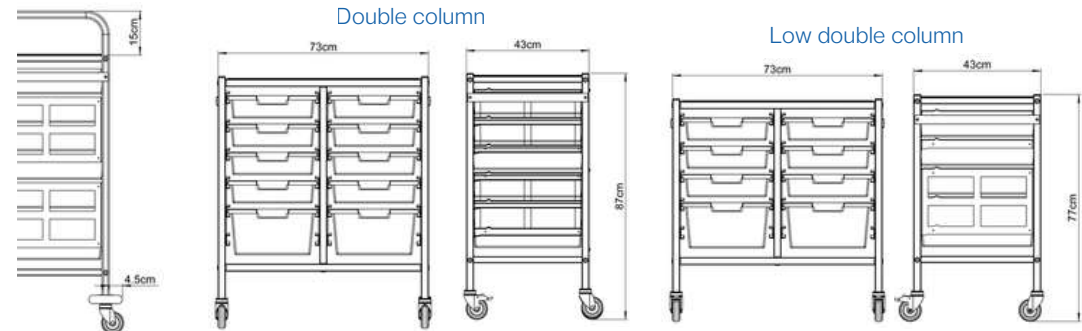


+TRAC05



## Configuration- Low Double Column

- MST019: A4 Double Column, Low Level
- MST020: A4 Double Column, Low Level, Enclosed Sides
- MST021: A4 Double, Low Level, Enclosed Sides, Lockable Door
- MST022: A4 Double Column, Low Level, Bow Handle
- MST023: A4 Double, Low Level, Bow Handle, Enclosed Sides
- MST024: A4 Double, Low, Bow Handle, Enclosed, Lockable Door



# MST Wide Single/ Wide Low Column



## Trays

**A**  
7 Small



**B**  
1 Small, 3 Medium



**C**  
3 Small, 2 Medium



**D**  
5 Small, 1 Medium



## Configuration- Single Column

- MST025: A3 Single Column, Standard
- MST026: A3 Single Column, Standard, Enclosed Sides
- MST027: A3 Single Column, Standard, Enclosed Sides, Lockable
- MST028: A3 Single Column, Standard, Bow Handle
- MST029: A3 Single Column, Standard, Bow Handle, Enclosed
- MST030: A3 Single, Standard, Bow Handle, Enclosed, Lockable



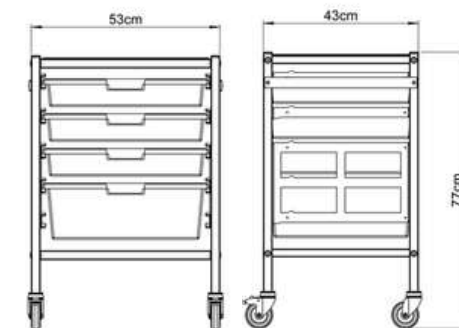
## Configuration- Low Single Column

- MST031: A3 Single Column, Low Level
- MST032: A3 Single Column, Low Level, Enclosed Sides
- MST033: A3 Single Column, Low Level, Enclosed, Lockable
- MST034: A3 Single Column, Low Level, Bow Handle
- MST035: A3 Single Column, Low Level, Bow Handle, Enclosed
- MST036: A3 Single, Low, Bow Handle, Enclosed Sides, Lockable

Single column



Low single column



# MST Wide Double/ Wide Low Column



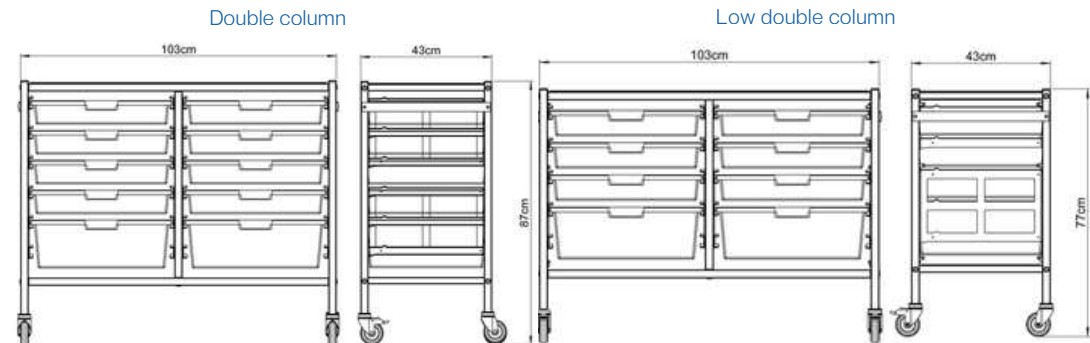
## Configuration- Double Column

- MST037: A3 Double Column, Standard
- MST038: A3 Double Column, Standard, Enclosed Sides
- MST039: A3 Double Column, Standard, Enclosed Sides, Lockable
- MST040: A3 Double Column, Standard, Bow Handle
- MST041: A3 Double Column, Standard, Bow Handle, Enclosed
- MST042: A3 Double, Standard, Bow Handle, Enclosed, Lockable



## Configuration- Low Double Column

- MST043: A3 Double Column, Low Level
- MST044: A3 Double Column, Low Level, Enclosed Sides
- MST045: A3 Double Column, Low Level, Enclosed, Lockable
- MST046: A3 Double Column, Low Level, Bow Handle
- MST047: A3 Double Column, Low Level, Bow Handle, Enclosed
- MST048: A3 Double, Low, Bow Handle, Enclosed, Lockable Door



# MST Tall Single/ Tall Wide Column



## Configuration- Tall Single Column

- MST058: A4 Single Column, Tall
- MST059: A4 Single Column, Tall, Enclosed Sides
- MST061: A4 Single Column, Tall, Bow Handle
- MST062: A4 Single Column, Tall, Bow Handle, Enclosed

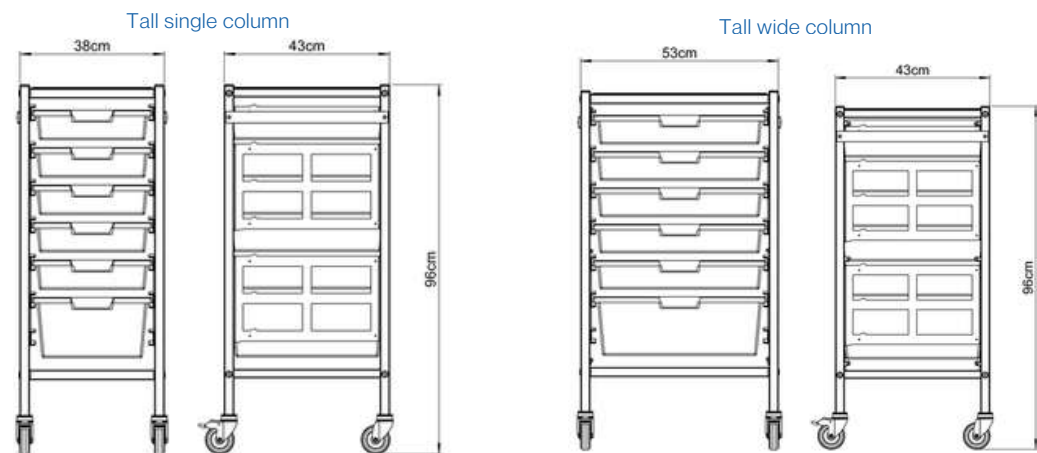


## Configuration- Tall Wide Column

- MST064: A3 Single Column, Tall
- MST065: A3 Single Column, Tall, Enclosed Sides
- MST067: A3 Single Column, Tall, Bow Handle
- MST068: A3 Single Column, Tall, Bow Handle, Enclosed



Find our products on the NHS Supply Chain Catalogue

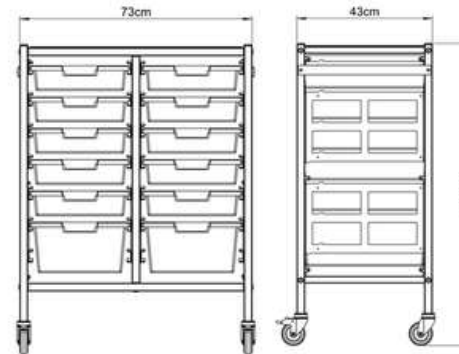


# MST Tall Double/ Wide Double Column

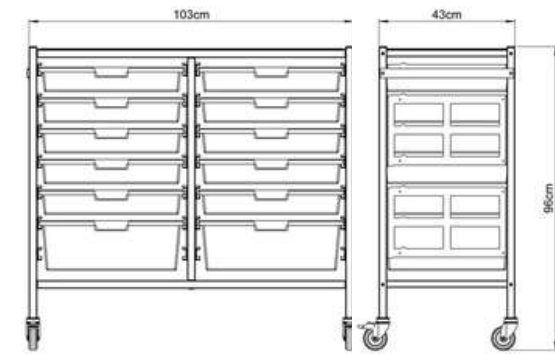
## Trays



Tall double column



Tall wide double column



## Configuration- Tall Double Column

MST070: A4 Double Column, Tall

MST071: A4 Double Column, Tall, Enclosed Sides

MST073: A4 Double Column, Tall, Bow Handle

MST074: A4 Double Column, Tall, Bow Handle, Enclosed

## Configuration- Tall Wide Double Column

MST076: A3 Double Column, Tall

MST077: A3 Double Column, Tall, Enclosed Sides

MST079: A3 Double Column, Tall, Bow Handle

MST080: A3 Double Column, Tall, Bow Handle, Enclosed



Find our products on the NHS Supply Chain Catalogue



# Medical Record Trolleys



## MRT002/07/08/09

The Shuttleworth Medical Records Transfer Trolley with Lock has been specifically designed to meet the needs of modern healthcare environments where the secure storage, easy transportation, and quick access to patient records are essential. Manufactured from strong mild steel with a durable epoxy powder-coated finish, the trolley offers long-lasting performance and is easy to clean in line with strict infection control protocols.

The lockable top section, available with either a Cam lock or a digital lock option, provides a high level of security for sensitive records, ensuring compliance with data protection and confidentiality requirements within clinical practice.

Its compact dimensions and smooth-rolling swivel castors, with rear braking system, make it easy to manoeuvre through wards, offices, and corridors while maintaining stability during transfers. Ergonomically positioned push handles enhance control and reduce operator strain, supporting safe daily use by staff.

Code	Width	Depth	Height
MRT002	95cm	50.5cm	102cm
MRT007	94.9cm	55.2cm	98cm
MRT008	94.9cm	55.2cm	98cm
MRT009	94.9cm	55.2cm	98cm

### Configuration

MRT002: Medical Records Trolley with Shelves & 8 Dividers

MRT007: Medical Records Trolley with Trays & Cam Lock

MRT008: Medical Records Trolley with Trays & Digital Lock

MRT009: Medical Records Trolley with Trays & Open Top



Find our products on the NHS Supply Chain Catalogue



# SS Dressing Trolleys



## DRT001/05/06/10/14/18/21

The Shuttleworth DRT range of stainless steel dressing trolleys has been engineered to meet the practical and hygiene demands of clinical environments, making them a reliable choice for NHS and private healthcare procurement.

Built from high-grade stainless steel, they offer a durable and corrosion-resistant solution that withstands daily use and rigorous cleaning protocols, ensuring long service life and compliance with infection control standards.

Each trolley is designed to support efficient workflow, with a stable welded frame and removable stainless steel trays that can be easily sterilised or replaced. Smooth-running swivel castors allow for effortless mobility, even in restricted spaces, while lockable options provide additional stability when in use.

Available in a range of sizes and configurations, the DRT trolleys deliver flexibility for general wards, treatment rooms, and theatres.

The range represents excellent value for procurement teams, combining robust construction with low maintenance requirements.

Code	Width	Depth	Height
DRT001	47cm	47cm	89.5cm
DRT005	46cm	46cm	89.6cm
DRT006	61cm	46cm	89cm
DRT010	47cm	47cm	89cm
DRT014	46cm	46cm	91.7cm
DRT018	122cm	46cm	91.5cm
DRT021	47cm	47cm	89.8cm

### Configuration

DRT001: Stainless Steel Dressing Trolley, Removable Shelves, 3 Edges Up 1 Down

DRT005: Stainless Steel Dressing Trolley, Fixed Flat Shelves

DRT006: Stainless Steel Dressing Trolley, Fixed Flat Shelves

DRT010: Stainless Steel Dressing Trolley, Removable Shelves, Flat Shelves

DRT018: Stainless Steel Dressing Trolley, Fixed Shelves 3 Edges Up 1 Down

DRT021: Mild Steel Dressing Trolley, Removable Shelves, 3 Edges Up 1 Down

## Accessories

Code

Four Rubber Buffers added to each corner

DRT020.1



## Handling

The DRT Stainless Steel Dressing Trolleys are engineered for smooth and reliable performance in everyday clinical use.

Designed with a compact frame and easy-glide castors, the trolleys can be moved effortlessly between treatment rooms or wards, enabling efficient organisation of instruments and supplies.

The ergonomic push handle and lightweight stainless steel structure further enhance manoeuvrability while maintaining strength and durability in demanding healthcare settings.



## Longevity

Built entirely from high-grade stainless steel, the DRT Trolleys provide exceptional durability and resistance to corrosion, ensuring a long service life even under frequent cleaning and disinfection.

Each model is designed with smooth, wipe-clean surfaces that support infection control compliance and simplify day-to-day maintenance. The reinforced shelving provides dependable support for medical equipment and consumables, while raised edges help to secure items during transport, reducing the risk of spills.



## Safety

Safety and reliability are central to the DRT Dressing Trolleys. Heavy-duty castors with locking mechanisms ensure stability when stationary, giving clinicians confidence during delicate procedures or when accessing critical supplies.

The robust stainless steel frame supports consistent use in high-intensity care environments, and all materials comply with strict NHS infection control standards. The DRT Trolleys deliver consistent, safe performance for hospitals, clinics, and community healthcare settings.

# General Purpose Trolleys



## GPT001/02/03/04

The Shuttleworth General Purpose Trolley (GPT series) delivers versatile functionality essential to fast-paced clinical environments. Built to withstand daily use, its robust mild steel frame is finished in durable epoxy powder coating, ensuring both longevity and effortless cleaning.

With options for two or three shelf configurations, each unit features 40mm raised edges to secure contents in transit and smooth-rolling 100mm swivel castors, enabling seamless movement through tight corridors and across wards.

Engineered for efficiency, the cart includes cushioned protective buffers and push handles at both ends, allowing staff to manoeuvre the unit from either side with minimal effort. Offered in both mild and stainless steel variants, it supports stringent decontamination procedures while meeting infection control standards.

Its combination of cleanliness, stability, and adaptability ensures seamless integration into healthcare workflows, enabling procurement teams to invest in a piece of equipment that supports operational excellence, safety, and long-term value.

Code	Width	Depth	Height
GPT	93.5cm	51cm	101.5cm

### Configuration

GPT001: General Purpose Trolley with Two Shelves, Stainless Steel & Protective Buffers

GPT002: General Purpose Trolley with Three Shelves, Stainless Steel & Protective Buffers

GPT003: General Purpose Trolley with Two Shelves, Mild Steel & Protective Buffers

GPT004: General Purpose Trolley with Three Shelves, Mild Steel & Protective Buffers



# Linen Trolleys



## LNT Trolleys

Shuttleworth offers a robust and adaptable selection of linen trolleys tailored to the demanding workflows of clinical, care, and hospital settings. Constructed from powder-coated mild steel, these trolleys deliver exceptional durability and hygiene, effortlessly meeting the rigorous cleaning standards expected in medical environments. Each variant throughout the LNT range is thoughtfully engineered to balance secure storage with ease of use: open ring systems provide quick access to linen bags, while pedal-operated designs with secure lids ensure enclosed transport options for discretion and infection control.

It's easy-to-manoeuvre wheels and ergonomic design make transporting linen effortless improving workflow and ensuring the efficient distribution and collection of hospital linens.

Available in multiple formats including clean and soiled variants, single or double ring frames, pedal-operated lids, and enclosed cabinet configurations, Shuttleworth linen trolleys can be customised to meet diverse departmental needs while maintaining a consistent quality standard across the range. For clean linen distribution, cabinet-style trolleys are available with adjustable shelving and options including lockable doors or PVC curtains to suit different storage and access needs.

Code	Width	Depth	Height
LNT001	80cm	44.9cm	115.2cm
LNT002	54cm	37.2cm	89.5cm
LNT004	46cm	43cm	87cm
LNT005	88cm	42cm	91cm
LNT007	92cm	43cm	87cm
LNT008	106cm	51cm	103cm
LNT009	126cm	54.1cm	104.5cm
LNT010	126cm	54.1cm	104.5cm

### Configuration

- LNT001: Bed Changing Trolley, Three Shelves, Bag Holder
- LNT002: Soiled Linen Trolley (also available in Stainless)
- LNT004: Soiled Linen Trolley, Pedal Operated Lid
- LNT005: Double Ring Soiled Linen Trolley (also available in Stainless)
- LNT007: Double Ring Soiled Linen Trolley, Pedal Operated Lid
- LNT008: Clean Linen Trolley, Two Adjustable Shelves
- LNT009: Clean Linen Trolley, Adjustable Shelves & Lockable Doors
- LNT010: Clean Linen Trolley, Adjustable Shelves & PVC Curtain

# Ward Drug Trolley



## WDT004

The Shuttleworth Ward Drug Trolley WDT004 has been developed to streamline pharmaceutical preparation and dispensing in ward environments by combining secure storage, ergonomic access, and hygienic engineering.

Its thoughtful design features a hinged writing top that provides a convenient workspace for care professionals to prepare medication or complete records, all within arm's reach of the patient.

Constructed using high-quality materials with a durable, easy-clean finish, the trolley is built to maintain rigorous infection control standards.

Heavy-duty 100mm swivel castors, two equipped with brakes ensure stable and smooth manoeuvrability across ward floors while allowing the trolley to be firmly secured when stationary.

The WDT004 supports efficient and confident medication management in healthcare environments.

Code	Width	Depth	Height
WDT004	105.2cm	43.2cm	115.1cm

## Configuration

WDT004: Hinged Writing Top Drug Trolley with Shelf, Dispensing Shelf & Hinged Side Work Flap



# Ward Case Note Trolleys



## CNT008/09/10/11

The Shuttleworth Case Notes Trolley offers a secure, hygienic, and highly manoeuvrable solution for managing patient notes and medical imaging within healthcare environments. Built on a robust, powder-coated mild steel frame with aluminium top, the trolley features solid side panels and a lower storage shelf, combining strength with a streamlined design for ease of cleaning and infection control.

The top section of the trolley includes a lockable cabinet, available with either Digital or Cam lock options to safeguard sensitive documents and comply with patient confidentiality standards.

The trolley's mobility is enhanced by four 100mm swivel castors, complete with two braked for stability, and ergonomically placed side push handles ensure smooth navigation and precise positioning, even in crowded corridors or tight spaces.

Making it ideal for ward, clinic, or administrative settings where efficiency and security are essential.

Code	Width	Depth	Height
CNT008	80cm	46.7cm	94.8cm
CNT009	80cm	46.7cm	94.8cm
CNT011	100cm	46.7cm	94.8cm

### Configuration

CNT008: Case Notes Trolley with Cam Lock

CNT009: Case Notes Trolley with Digital Lock

CNT011: Case Notes Trolley, Large with Digital Lock



Find our products on the NHS Supply Chain Catalogue



# Chart Board Trolleys



## CBT001/02/03

The Shuttleworth Chart Board Trolley range is built to support efficient patient documentation and secure record management across a variety of clinical environments. Manufactured from high-quality mild steel and finished in a durable epoxy coating, the trolleys are designed for long-term use and withstand the rigorous cleaning regimes required in modern healthcare. The hinged chart board provides a reliable writing surface while also protecting stored files underneath, making it ideal for ward rounds, patient reviews, and routine clinical documentation.

Each model includes a secure lockable storage drawer to maintain confidentiality of patient charts and notes, with additional shelving to house essential items close at hand. Mobility is ensured through a robust castor system, with 100 mm swivel castors that allow smooth and quiet movement across corridors and clinical areas, two of which are fitted with brakes to guarantee safe positioning when stationary.

The design combines practical storage capacity with ease of manoeuvrability, reducing staff workload and helping to maintain workflow efficiency during busy shifts.

Code	Width	Depth	Height
CBT001	70cm	50cm	144.8cm
CBT002	70cm	50cm	99.6cm
CBT003	53cm	43.2cm	123.8cm

### Configuration

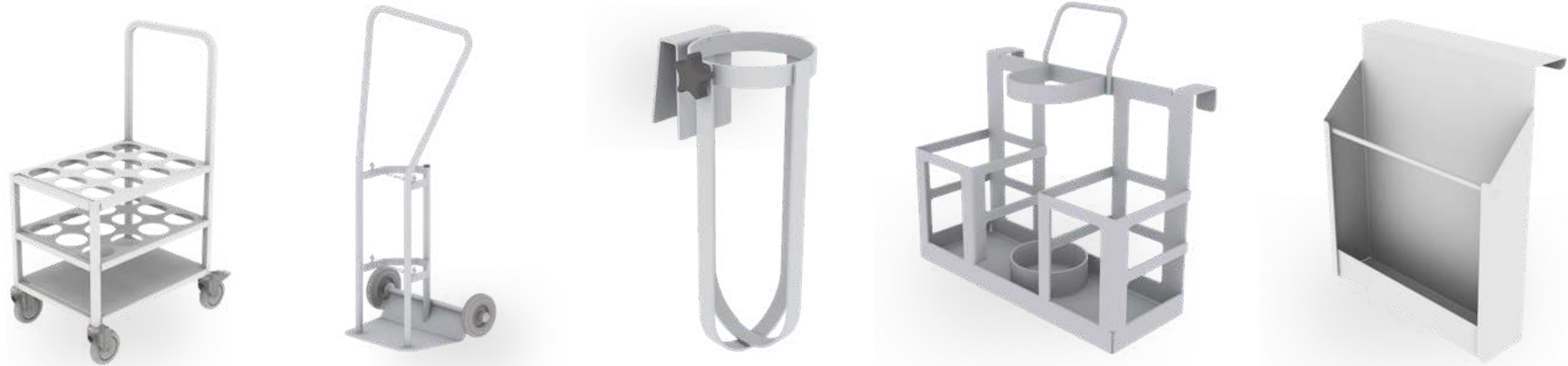
CBT001: Chart Board Trolley with Lockable Drawer

CBT002: Writing Trolley, Steel Top & Lockable Drawer

CBT003: Chart Board Trolley with Removable Trays



# Chart & Cylinder Holders



## CYH, CYT & PCH Holders

Shuttleworth's range of chart holders and gas cylinder transport solutions is designed to support efficient, safe, and organised clinical workflows. For smaller capacity needs, the fixed Cylinder Holder accommodates 'D' sized cylinders securely, while the portable version fits up to size 'E' cylinders and includes hooks for direct bed mounting, supporting mobility and continuous therapy at the patient's side. When movement between wards is required, the single-cylinder trolley offers a robust yet lightweight option for F/G cylinders, providing staff with a safe and ergonomic transport method. For larger-scale management, the high-capacity trolley accommodates up to twelve D/E cylinders, ensuring reliable and efficient transfer of supplies across hospital departments while reducing manual handling risks.

The A4 chart holder provides a compact and accessible method for storing and displaying patient records, notes, or charts. Constructed from mild steel and finished to withstand daily cleaning, it ensures patient records remain organised and readily accessible.

Code	Width	Depth	Height
CYH001	13.2cm	40.7cm	34.1cm
CYH002	40.7cm	15cm	40.4cm
CYT001	56.3cm	28.2cm	116.5cm
CYT002	62.5cm	46.7cm	106.2cm
PCH002	26.2cm	6.2cm	31.5cm

### Configuration

CYH001: Cylinder Holder, 'D' Sized Cylinders

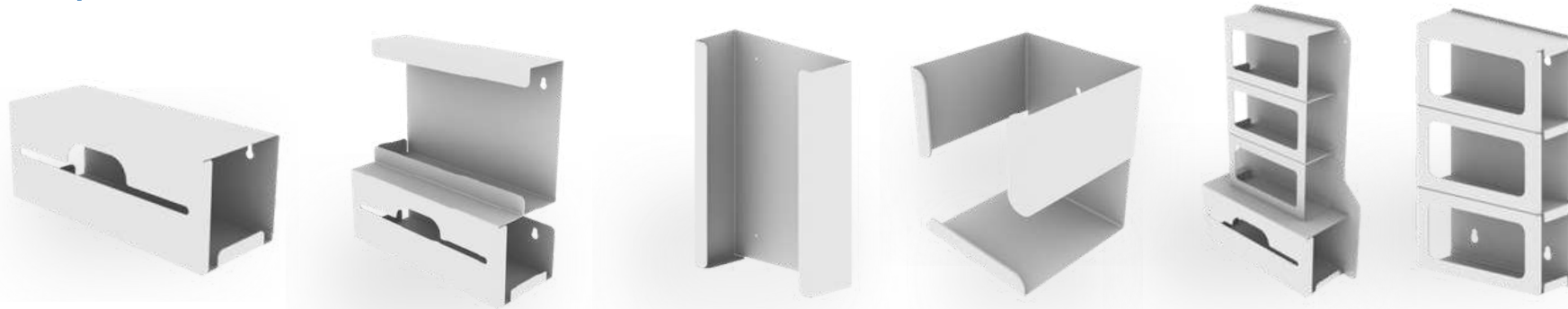
CYH002: Portable Cylinder Holder, Fits Up To Size 'E' Cylinders, Hooks for Bed Mounting

CYT001: Cylinder Trolley, Holds 1x F/G Size Cylinder

CYT002: Cylinder Trolley, D/E Sized, Holds 12x Cylinders

PCH002: Chart Holder, A4 Capacity, Mild Steel

# Dispensers



## DSP Dispensing Units

The Shuttleworth Dispensers Range has been designed to enhance infection control, hygiene, and workflow efficiency across hospitals, clinics, and care environments. Manufactured from durable, easy-clean materials, these solutions ensure that essential consumables remain secure, accessible, and organised for staff in high-traffic clinical areas.

The Hand Gel Holder provides a simple but effective method of ensuring sanitiser is always within reach, encouraging compliance with hand hygiene protocols at the point of care. To support glove storage, the range includes robust Triple Glove Dispensers, available in standard and medium sizes, allowing safe segregation of glove types and sizes while reducing cross-contamination risks.

For wider consumable management, the Shuttleworth range also features Single Apron Dispensers for streamlined PPE access, as well as combined Glove and Apron Dispensers in triple configurations. These integrated designs save wall space while ensuring essential items are stored together, supporting efficiency in busy wards and treatment areas. Built to meet the demands of infection-sensitive environments, all dispensers are easy to clean and maintain, ensuring long-term reliability.

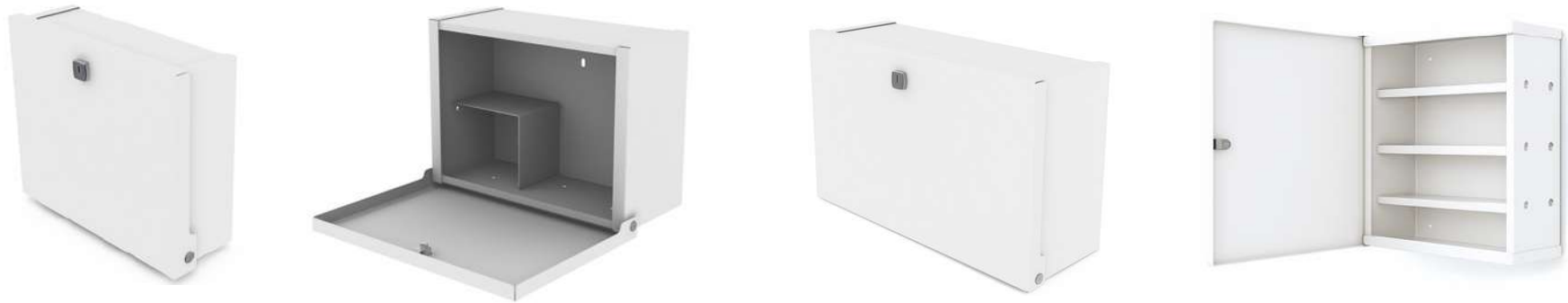
Code	Width	Depth	Height
DSP001	10cm	10cm	12cm
DSP002	27.1cm	9.5cm	38.3cm
DSP003	41cm	16.2cm	16.4cm
DSP004	25.7cm	9.2cm	43.5cm
DSP005	42cm	14.4cm	60cm
DSP006	41.3cm	16.2cm	42.5cm
DSP007	90cm	25.2cm	56.3cm

### Configuration

- DSP001: Hand Gel Holder
- DSP002: Triple Glove Dispenser
- DSP003: Single Apron Dispenser
- DSP004: Triple Glove Dispenser, Medium Size
- DSP005: Triple Glove & Apron Dispenser
- DSP006: Triple Glove & Apron Dispenser, Medium Size
- DSP007: Combined Bedpan/Urinal Bottle Holder



# Patient Drug Cabinets



## PDC001/03/05/07

The Shuttleworth Patient Drug Cabinet range has been specifically designed to ensure the safe, secure, and organised storage of patient-specific medications across hospitals, clinics, and care environments. These cabinets meet the highest infection control and security standards required within the NHS and wider healthcare services.

Designed specifically for hospitals, clinics, and care facilities, these cabinets help maintain patient confidentiality and medication security, supporting safe dispensing practices and regulatory compliance.

Each cabinet is fully welded and manufactured from mild steel, finished in a white epoxy powder coat for ease of cleaning and infection control.

Units are wall-mountable for convenient bedside access and feature secure locking mechanisms. Cam lock versions are supplied with two keys and are BS3621 compliant, with digital lock options also available to suit various security protocols.

The cabinet range is available in four sizes to accommodate different medication storage needs.

Code	Width	Depth	Height
PDC001	31cm	10.5cm	26cm
PDC003	36cm	15.5cm	26cm
PDC005	43.3cm	15.5cm	23cm
PDC007	36.7cm	15.5cm	43.5cm

### Configuration

PDC001: Small Patient Drug Cabinet with Cam Lock (Digital Lock Version Available)

PDC003: Medium Patient Drug Cabinet with Cam Lock (Digital Lock Version Available)

PDC005: Large Patient Drug Cabinet with Cam Lock (Digital Lock Version Available)

PDC007: X-Large Patient Drug Cabinet with Cam Lock (Digital Lock Version Available)



# Controlled Drug Cabinets



## CDC Drug Cabinets

Shuttleworth Controlled Drug Cabinets are engineered to meet the highest standards of security and compliance for the storage of controlled substances in healthcare environments. These cabinets are suitable for use in hospitals, clinics, laboratories, and emergency vehicles, including ambulances where secure morphine storage is critical.

Manufactured from robust materials and finished in white epoxy powder coating for ease of cleaning and infection control, all cabinets are built for long-term performance. Standard models are supplied with BS3621-compliant locks and two keys as standard, with options available for enhanced security through Euro lock, dual Euro lock, or four-lock configurations.

Clinical Reagent Cabinets are supplied with cam locks, and sizes are available beyond those listed as part of the standard range to meet specific clinical needs.

These cabinets ensure that controlled drugs remain accessible to authorised personnel only, while maintaining full regulatory compliance and supporting safe medical practice.

Code	Width	Depth	Height
CDC001	30cm	18cm	20.3cm
CDC002	30cm	16cm	20.3cm
CDC003	33cm	15.3cm	31.7cm
CDC004	50cm	30cm	60cm
CDC006	60cm	30cm	60cm
CDC008	80cm	30cm	60cm
CDC012	100cm	30cm	90cm

## Configuration

- CDC001: Medium Ambulance Controlled Drug Cabinet
- CDC002: Ambulance Controlled Drug Cabinet
- CDC003: Clinical Reagent Cabinet with Cam Lock
- CDC004: Small Controlled Drug Cabinet with Euro Lock
- CDC006: Medium Controlled Drug Cabinet with Euro Lock
- CDC008: Large Controlled Drug Cabinet with Two Euro Locks
- CDC012: X-Large Controlled Drug Cabinet with Four Locks



# Drug Storage Cabinets



## DSC001/04/05/09

Shuttleworth Drug Storage Cabinets provide a durable and secure solution for the organised storage of medications across healthcare settings, including hospitals, clinics, pharmacies, and care facilities.

Constructed from high-quality mild steel, the cabinets are fully welded and finished in a white epoxy powder coating to support easy cleaning and infection control.

All models are supplied with BS3621-compliant locks and two keys as standard, with optional Euro Lock configurations available, including single, double, or four-lock variations to meet differing security requirements.

Internal storage configurations are available separately, offering flexible compartmentalisation to suit specific clinical needs.

Additional sizes beyond this listed range are available on request. These cabinets are purpose-built to improve security, organisation, and accessibility of drug storage in demanding clinical environments.

Code	Width	Depth	Height
DSC001	50cm	30cm	60cm
DSC004	60cm	30cm	90cm
DSC005	80cm	30cm	60cm
DSC009	100cm	46cm	180cm

## Configuration

DSC001: Small Drug Storage Cabinet with Euro Lock

DSC004: Medium Drug Storage Cabinet with Euro Lock

DSC005: Large Drug Storage Cabinet with Two Euro Locks

DSC009: X-Large Drug Storage Cabinet with Four Euro Locks



# Hazardous Substance Cabinets



## HAZ001/05/06/10/11/13/15

Shuttleworth Hazardous Substance Cabinets are purpose-built for the safe storage of hazardous materials in full compliance with health and safety regulations. Designed for use in hospitals, laboratories, and industrial environments, these cabinets help ensure controlled access to potentially dangerous substances.

Each cabinet is constructed from high-quality, durable materials and finished in a high-visibility yellow epoxy powder coat. Reinforced doors and BS3621-compliant locks with two keys included as standard enhance security.

Cabinets are clearly labelled with GHS-compliant hazard symbols and come fitted with a fully integrated leak-proof sump to contain spills.

Adjustable shelving is provided to accommodate varying storage needs, with options for one, two, or three internal shelves depending on the model. Wall-mountable versions are also available where space optimisation or fixed installation is required.

Additional sizes beyond this listed range are available on request.

Code	Width	Depth	Height
HAZ001	45.7cm	30.5cm	45.7cm
HAZ005	45.7cm	45.7cm	76cm
HAZ006	45.7cm	45.7cm	91cm
HAZ010	91.5cm	45.7cm	100cm
HAZ011	61cm	45.7cm	152.5cm
HAZ013	91.5cm	45.7cm	152.5cm
HAZ015	122.2cm	45.7cm	183cm

### Configuration

- HAZ001: One Shelf Hazardous Substance Cabinet, 5Ltr Capacity
- HAZ005: One Shelf Hazardous Substance Cabinet, 10Ltr Capacity
- HAZ006: One Shelf Hazardous Substance Cabinet, 18Ltr Capacity
- HAZ010: One Shelf Hazardous Substance Cabinet, 30Ltr Capacity
- HAZ011: Three Shelf Hazardous Substance Cabinet, 20Ltr Capacity
- HAZ013: Two Shelf Hazardous Substance Cabinet, 36Ltr Capacity
- HAZ015: Three Shelf Hazardous Substance Cabinet, 45Ltr Capacity



# Key Cabinets



## KEC001/02/05

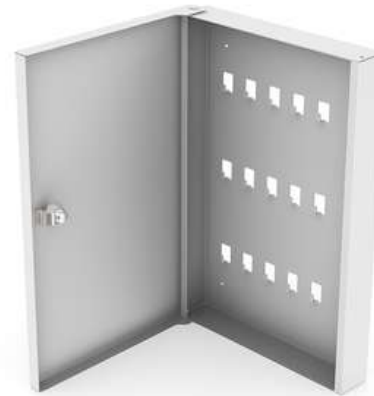
Shuttleworth Key Cabinets provide a secure and efficient solution for key management in healthcare, commercial, and industrial settings.

Designed to help maintain control and organisation, these cabinets are ideal for use in hospitals, clinics, care homes, offices, and facilities where multiple keys must be securely stored but easily accessible to authorised personnel.

Manufactured from mild steel and powder coated in white epoxy for easy cleaning and long-term durability, each cabinet is fitted with an external three-digit combination lock to prevent unauthorised access.

The internal layout features clearly labelled hooks, supporting quick identification and streamlined key retrieval. These cabinets are wall mountable, making them space-efficient and suitable for placement in secure but accessible locations.

This range offers a practical and secure storage solution to support operational efficiency and access control in high-responsibility environments.



Code	Width	Depth	Height
KEC001	44.7cm	5.5cm	28.7cm
KEC002	44.7cm	5.5	28.7cm
KEC005	16cm	5cm	14.5cm

## Configuration

KEC001: Key Cabinet, 15 Key Capacity, Wall Mountable

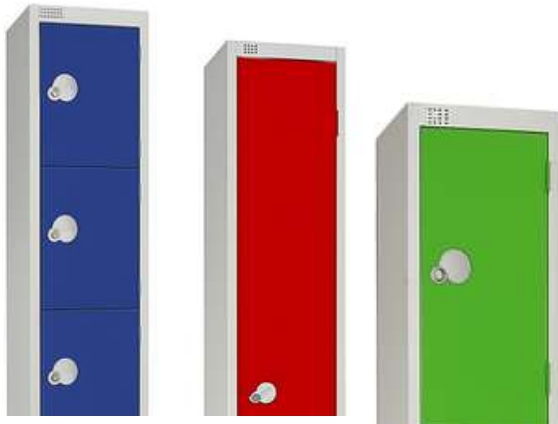
KEC002: Key Cabinet, 30 Key Capacity, Wall Mountable

KEC005: Key Cabinet, 1 Key Capacity, Wall Mountable



Find our products on the NHS Supply Chain Catalogue

# Storage Lockers



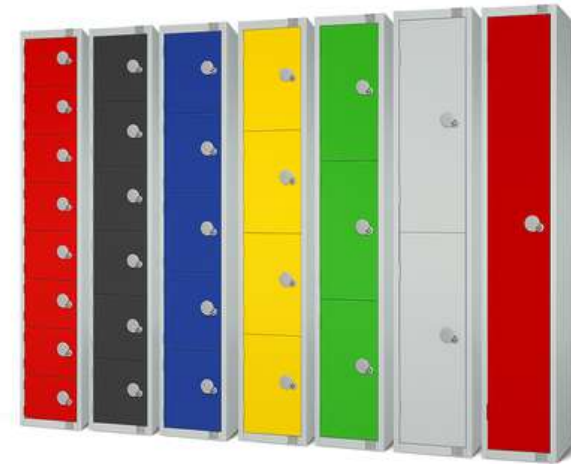
## STL001/02/03/04/05/06/07

Shuttleworth Storage Lockers provide a secure and robust solution for storing personal items, uniforms, or equipment in healthcare, commercial, and industrial environments. Manufactured from high-quality materials and designed for durability, these lockers are suitable for hospitals, clinics, offices, and staff areas where safety, organisation, and accessibility are essential.

Each locker is fitted with a CAM lock as standard, offering secure access for individual users. An integrated airflow venting system supports hygiene and circulation, particularly useful in healthcare or high-traffic settings.

Lockers are available with one to eight doors per unit, allowing facilities to choose the most appropriate configuration for their storage needs.

A wide selection of colour finishes is available, including blue, green, black, yellow, dark grey, light grey, and red, ensuring alignment with interior branding or department coding.



Code	Width	Depth	Height
STL00*- COLOUR	30cm	45cm	180cm

### Configuration

- STL001-COLOUR: Storage Locker, One Door
- STL002-COLOUR: Storage Locker, Two Door
- STL003-COLOUR: Storage Locker, Three Door
- STL004-COLOUR: Storage Locker, Four Door
- STL005-COLOUR: Storage Locker, Five Door
- STL006-COLOUR: Storage Locker, Six Door
- STL007-COLOUR: Storage Locker, Eight Door





# Dialysis

Medi-Plinth's dialysis seating range, including the Solace and Capre MC chairs, is designed to deliver exceptional patient comfort, support, and practicality throughout extended treatment sessions. Both models combine advanced ergonomic shaping with high-quality, easy-clean upholstery to promote patient wellbeing while meeting the strict hygiene demands of clinical environments.



## Solace Chair

The Solace Dialysis Chair is purpose-built for long-duration treatments, offering smooth electric adjustments for height, tilt, and recline to ensure patient comfort and clinical efficiency. Its robust frame supports intensive daily use, while antimicrobial, easy-clean upholstery and intuitive controls make it ideal for dialysis, oncology, and infusion therapy.



## Capre MC Dialysis Chair

The Capre MC Dialysis Chair combines contemporary design with advanced ergonomic support, featuring multiple motorised adjustment functions for optimal positioning. Generously padded surfaces, high-grade infection-control upholstery, and a stable, manoeuvrable base make it a versatile choice for modern dialysis and treatment rooms.



## Solace Dialysis Chair



The Capre and Solace dialysis chairs represent a new standard in patient treatment seating, combining sleek aesthetics with the functional requirements of modern healthcare environments. Designed to fit seamlessly into busy clinical settings, they offer a calming, professional appearance that enhances the treatment space while maintaining the robustness required for daily, long-term use.



Designed for  
Every Stage of Care.

Both models are engineered with a strong focus on reducing patient fatigue, supporting circulation, and promoting comfort over extended sessions. Smooth operation ensures minimal disruption during treatment, while the high-quality materials used throughout guarantee durability and straightforward maintenance. With a design philosophy that blends patient-centred comfort and clinical efficiency, the Capre and Solace chairs are a dependable choice for dialysis units and other long-stay care areas.

# Solace Dialysis Chair



## SOLACE-001 Dialysis Chair

The Solace Dialysis Chair is a robust and versatile solution designed to meet both patient comfort and clinical efficiency during lengthy treatments.

It is built on an epoxy-coated steel tube frame with a scissor-lift mechanism that offers excellent stability while supporting up to 230 kg safe working load. An integrated portering handle enables straightforward relocation between treatment areas.

The chair features a fully adjustable three-section platform with electric controls compliant with EN 60601-1, allowing independent adjustment of height, backrest, leg rest, and Trendelenburg positioning via an intuitive handset. Contoured polyurethane armrests are also fully adjustable to enhance patient comfort.

For practical operation, the handset includes preprogrammed settings such as an emergency Trendelenburg (shock position) and a patient exit position that returns the chair to its lowest height and seat configuration. Mobility is supported by four 125 mm swivel castors with central brake.

Code	Ext Dims	Patient Surface	Backrest Dims	Seat Dims	Legrest Dims
SOLACE-001	220 x 87.5cm	214 x 57cm	88 x 57cm	54 x 57cm	72 x 57cm

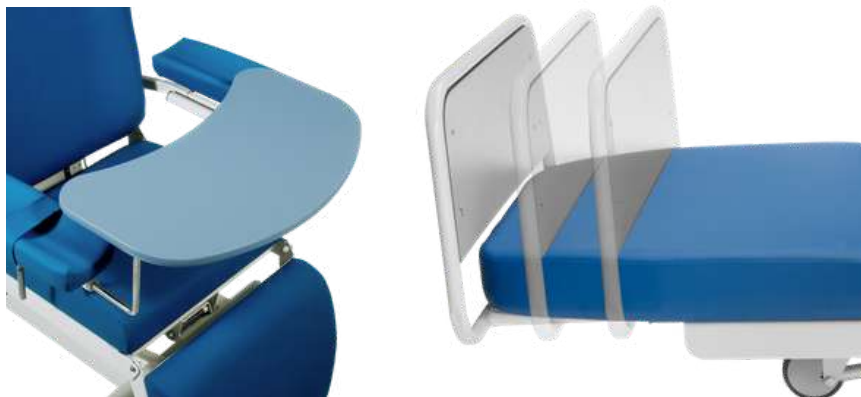
Code	Height Adj	Backrest Tilt	Footrest Dims	SWL
SOLACE-001	51-76cm	72°	25 x 58cm	230kg

## Configuration

SOLACE-001: Solace Dialysis Chair - Standard Configuration



Accessories	Code
IV Pole for Solace Chair	SOLACE-AC002
Food/Activity Tray for Solace Chair	SOLACE-AC003
Paper Roll Holder for Solace Chair	SOLACE-AC004



## Handling

The Solace Dialysis Chair is designed to integrate seamlessly into busy treatment environments, offering smooth mobility and precise positioning.

Four large swivel castors, a central brake system, and an integrated push handle allow effortless relocation between bays or departments.

The handset-operated electric adjustments provide quick and accurate changes to height, backrest, and leg rest angles, streamlining workflow for clinical teams.

## Comfort

Every aspect of the Solace Chair is engineered for long-duration treatments, ensuring patients remain supported and at ease.

The high-density foam cushioning is contoured to relieve pressure and maintain circulation, while the wide, fully adjustable armrests provide a stable surface for therapy access. Upholstered in premium, antimicrobial, and easy-clean fabric, the seating surface combines durability with a soft, welcoming feel. Sections fully adjustable with medical grade electric motors compliant with EN 60601-1.

## Safety

The robust steel frame and scissor-lift mechanism ensure exceptional stability throughout all adjustments, even under full safe working load.

Emergency positioning functions, including rapid Trendelenburg, are built into the handset controls for immediate response when required. All materials meet NHS infection control requirements and comply with BS7176 (Medium Hazard) fire safety standards, ensuring full regulatory compliance for medical use. Conforms to Regulation (EU) 2017/745.

# Capre MC Medical Chair



## MC001 Medical Chair

The Capre MC Medical Chair is a premium, multifunctional treatment chair engineered with clinical precision for demanding healthcare settings such as dialysis, cytostatic therapy, post-day surgery recovery, and general examinations.

Collaboratively designed with healthcare professionals to adapt to evolving care environments, it offers a contemporary, ergonomic alternative to traditional hospital beds.

The chair includes pre-programmed positions, plus a user memory setting and a one-touch resuscitation option. Its Trendelenburg tilt and motorized backrest, seat, height, and leg adjustments are all controlled via a seamless handset or optional foot pedals. Mechanical adjustments extend the head and leg sections, further enhancing versatility.

With a contoured design, the Capre MC delivers high comfort via a insulation layer and meticulously shaped upholstery. Multi-function armrests remain level regardless of backrest angle, and can rotate 180°.

Code	Total Length	Height Adj	Total Width	Patient Surface Width	SWL
MC001-COLOUR	186-213cm	60-85cm	88cm	62cm	160kg

Code	Backrest Adj	Leg Section	Seat Tilt	Armrest Adj
MC001-COLOUR	-14° to +90°	-80° to 0°	+12° to 0°	up to 10 cm

## Configuration

MC001-Colour: Capre MC Medical Chair, Inc USB Charger, Hand Control with Flexible Arm, Pre-programmed Positions & Motorised Leg Section



-FALLS



-ONYX

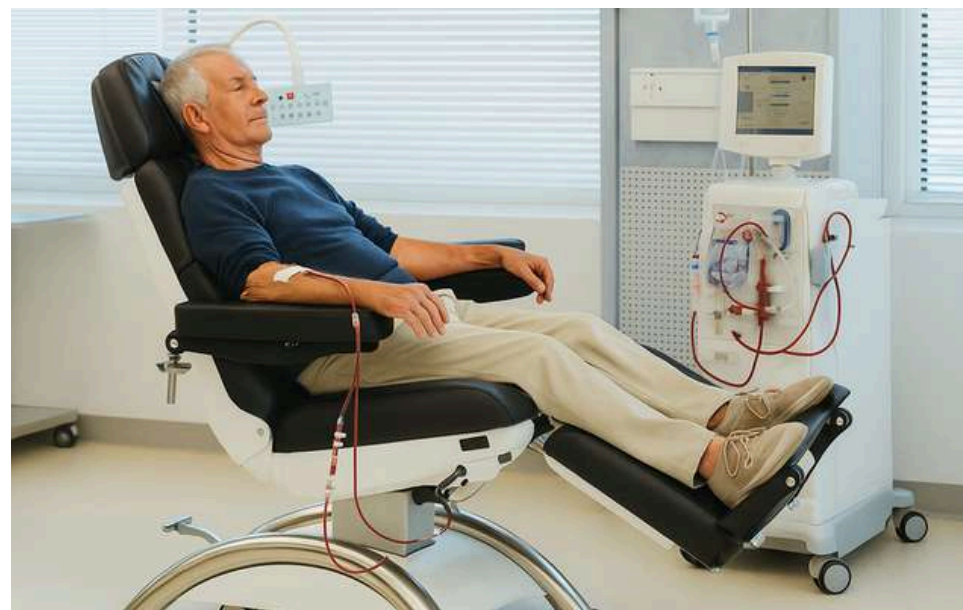


-TITANIUM



-BEACH

Accessories	Code
Plastic Cover for Leg Section	R19888
Plastic Cover for Foot Support	R19889
IV-Pole, Straight, One-Hand Height Adjustment, 4 Hooks	60121
Black Tray, Attached to the Upper Frame of The Chair	Coffee Tray
Flexible Tablet Holder	Tablet Support
Led Light / Lamp with Flexible Stand	60131L
Foot Control for Height & Back Section Adj	Foot control RC/MC
Fixed Foot Control for Trendelenburg Adj	Foot trend RC/MC
Neck Pillow	RCNP
Motorised Leg Section with Foot Support	MC19630
Battery Back-Up	BA21RC/MC



## Handling

The Capre MC Medical Chair is designed to deliver seamless functionality across a variety of clinical settings, from outpatient clinics to specialist treatment rooms.

Its smooth-rolling castors and compact frame provide easy mobility, allowing staff to reposition the chair quickly between bays or departments.

The lightweight yet sturdy construction, combined with intuitive handset controls, makes height, tilt, and backrest adjustments effortless, helping clinicians optimise workflow while maintaining precision in patient positioning.

## Comfort

With a focus on patient well-being during longer treatments and examinations, the Capre MC incorporates ergonomically designed cushions manufactured from premium, high-resilience foam. Upholstered in antimicrobial, soft-touch fabric, the chair provides both hygiene assurance and a welcoming feel for patients.

The adjustable backrest, seat, and leg sections are designed to reduce pressure points, promote circulation, and support a natural sitting posture. The overall design encourages relaxation while ensuring clinicians have unobstructed access for efficient procedures.

## Safety

The Capre MC combines modern design with robust safety features, ensuring peace of mind for both patients and practitioners. Its durable frame and stable lift mechanism provide secure positioning throughout adjustments.

Integrated emergency positioning functions, including Trendelenburg, are easily accessed through the handset to allow immediate response in critical situations. All materials and components conform to the highest infection control standards, fire safety regulations, and European medical device directives, supporting reliable, compliant performance in healthcare environments.



# Seating Solutions

Medi-Plinths' seating range offers versatile, durable, and ergonomically designed solutions to meet the everyday demands of clinical, laboratory, and waiting room environments. Our waiting room and tub chair collections combine aesthetic appeal with robust construction, creating a calm and supportive environment for patients and visitors alike. Patient chairs, such as the Breeze range, are designed for longer sitting periods and provide comfort, support, and mobility where needed.



### Waiting Room Seating

Available in a variety of styles, frame finishes, and upholstery colours, the range can be tailored to suit any healthcare environment, from GP surgeries to hospital outpatient departments. The seating is built with strength and stability in mind, ensuring safe use for a wide range of patient needs.



### Chairs & Stools

Medi-Plinths chairs and stools are built to support clinical performance and user comfort across a wide range of healthcare settings. From height-adjustable lab stools to operator chairs with backrests and foot rings, the range is designed for flexibility, ergonomic support, and ease of use.



### Patient & Visitor Chairs

This chair represents a blend of ergonomic versatility and clinical practicality, ideal for long-stay patients, geriatric use, or therapeutic settings requiring comfort, adaptability, and ease of maintenance. Thoughtful features include fold-back arms and meal tray as standard.



## Tub Seating

Waiting Room Furniture



From patient chairs and visitor seating to lab stools and operator chairs, each product is built for durability, support, and infection control compliance. Whether used in consultation rooms, waiting areas, or specialist treatment spaces, Medi-Plinth seating offers flexible solutions that balance comfort with clinical practicality.



Our seating is engineered with both patient and practitioner needs in mind. Adjustable features, wipe-clean materials, and ergonomic design details ensure each chair or stool enhances the user experience while contributing to overall safety and efficiency. Medi-Plinth remains committed to providing healthcare furniture that adapts to the evolving demands of clinical care, delivering long-term performance and consistent value across every setting.

# Stools



## OSS, LAB1 & SAD01 Stools

The Shuttleworth Seating Range offers durable, ergonomic, and adaptable seating solutions designed to meet the daily demands of clinical, laboratory, and treatment environments.

The Operator Stools are available in standard form, with optional foot rings for enhanced posture support, and in PU versions for easy cleaning and infection control compliance.

The Laboratory Stools are designed for high-use technical and clinical settings, with optional foot rings for added stability and ergonomic benefit. For enhanced posture and mobility, the Saddle Stools provide a natural seating position that reduces strain during procedures, with options including foot rings, backrests, and easy-clean PU finishes.

The Black PU Operator and Saddle Stools provide a cost-effective, low-maintenance solution, featuring durable polyurethane seats that are compatible with NHS-approved cleaning agents including Chlor-Clean, Haz-Tab, Milton, Tristel, Clinell wipes, and other alcohol-based disinfectants.

Each stool is fitted with a gas-assisted, 360° adjustable height lever for positioning and our 14 standard upholstery colours apply. (see page 47)

Code	Base Diameter	Seat Height Adj	Weight	SWL
OSS1-COLOUR	42cm	45-59cm	7kg	150kg
LAB1-COLOUR	42cm	45-59cm	7kg	150kg
SAD01-COLOUR	42cm	61-91cm	9kg	150kg

## Configuration

- OSS1-COLOUR: Standard Operators Stool
- OSS1FR-COLOUR: Operators Stool with Foot Ring
- OSS1PU: Operators Stool in Black PU
- LAB1-COLOUR: Laboratory Stool
- LAB1FR-COLOUR: Laboratory Stool with Foot Ring
- SAD01-COLOUR: Standard Saddle Stool
- SAD01FR-COLOUR: Saddle Stool with Foot Ring
- SAD01BKR-COLOUR: Saddle Stool with Backrest
- SAD01PU: Saddle Stool in Black PU



# Chairs



## OCS1, LAB1, CASS & ROLLO0 Chairs

Shuttleworth's seating range offers durable, hygienic, and space-efficient solutions for waiting areas, consultation rooms, and clinical workspaces.

The operator seating range includes models with optional foot rings, armrests, and 360° gas-assisted height adjustment, supporting users across a wide variety of clinical tasks.

Waiting room chairs are available with either a high-polished chrome or black metal frame. Black frame models can be specified with either a plastic PU seat and back or with vinyl upholstery.

All seating options are available with or without arms, and selected models such as the Chrome Chair with Phlebotomy Arm (WCS1A) are designed for specialist clinical applications.

Upholstered and PU surfaces are fully compatible with NHS-approved cleaning agents, including Chlor-Clean, Haz-Tab, Milton, Tristel, Clinell wipes, and alcohol-based disinfectants, ensuring compliance with infection control protocols. 14 standard upholstery colours apply. (Page \*\*)

Code	Base Diameter	Seat Height Adj	Weight	SWL
OCS1-COLOUR	42cm	61-91cm	9kg	150kg
LAB1CHFR-COLOUR	42cm	61-91cm	9kg	150kg
WCS1-COLOUR	42cm	61-91cm	9kg	150kg
ROLLO0-COLOUR	42cm	61-91cm	9kg	150kg
CASS01-COLOUR	42cm	61-91cm	9kg	150kg

### Configuration

OCS1-COLOUR: Operators Chair

OCS1FR-COLOUR: Operators Chair with Foot Ring

OCS1A: Operators Chair with Arms

OCS1AFR: Operators Chair with Arms & Foot Ring

LAB1CHFR-COLOUR: Laboratory Chair with Foot Ring

LAB1CHAFR-COLOUR: Laboratory Chair with Arms & Foot Ring

WCS1-COLOUR: Chrome Waiting Room Chair

WCS1PHL1-COLOUR: Chrome Frame Waiting Room Chair with Phlebotomy Arm

ROLLO01: Black, Plastic Seat & Back Waiting Room Chair

ROLLO02: Black, Plastic Seat & Back Waiting Room Chair with Arms

CASS01-COLOUR: Black Frame Waiting Room Chair

# Soft Seating



## CUBE001/002/003

The Shuttleworth Cube Chair and Sofa range combines contemporary styling with robust construction to create a comfortable and welcoming seating solution for communal waiting areas in healthcare environments.

Designed to help create a stress-free atmosphere for patients and visitors, each unit is manufactured using high-density, high-resilience foam to provide long-lasting comfort and support.

Available in a choice of upholstery colours, the range includes the single Cube Chair, the two-seater Cube Sofa, and the three-seater Cube Sofa.

All models are built with a sturdy internal frame, supplied with a five-year frame warranty.

This range provides a durable, stylish, and comfortable seating option suitable for busy waiting areas in hospitals, clinics, and care facilities.



Code	Width	Depth	Height	Seat Height	Seat Depth	SWL
CUBE001-COLOUR	55cm	65cm	78cm	44cm	48cm	150kg
CUB002-COLOUR	110cm	65cm	78cm	44cm	48cm	250kg
CUBE003-COLOUR	165cm	65cm	78cm	44cm	48cm	330kg

### ⚙️ Configuration

CUBE001-COLOUR: Cube Chair

CUBE002-COLOUR: Cube 2 Seater Sofa

CUBE003-COLOUR: Cube 3 Seater Sofa

### 🎨 Upholstery

See page 113



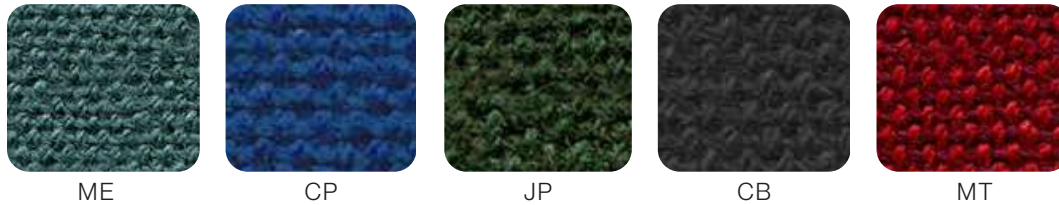
Find our products on the NHS Supply Chain Catalogue



# Soft Seating Upholstery

Our vinyl upholstery for soft seating products is specifically designed to meet the demands of healthcare and other high-use environments. Combining durability, hygiene, and comfort, it offers a practical solution for waiting areas, patient lounges, and visitor spaces while maintaining a welcoming appearance. The material is easy to clean, resistant to moisture, and fully compatible with NHS-approved cleaning agents, supporting infection control protocols without compromising on style.

## Fabric



## Vinyl



Guide colours for indication use only. Samples available on request.

BS EN 161319:2013- Test Level 2- Strength Durability and Safety' – requirements for non-domestic seating' except clause 7.

BS7176:2007 + A1:2011 Medium Hazard- Specification for resistance to ignition of upholstered furniture for non-domestic seating by testing composites.



[Find our products on the NHS Supply Chain Catalogue](#)

# Soft Seating



## COM001,002

The Comfort Tub range introduces modular, stylish seating options, available as a single tub chair or a two-seater sofa.

Crafted for communal waiting areas and high-traffic clinical environments, each piece is constructed from high-density, high-resilience foam to ensure long-lasting comfort and structural integrity.

Manufactured in the UK and fully CE Marked, the Comfort Tub Seating range is designed to foster a calming patient experience while meeting stringent healthcare quality standards.

A five-year manufacturer's warranty on the frame further underlines its long-term value. A broad palette of upholstery options is available, ranging from contemporary to soft tones, allowing seamless integration with various interior schemes.



Code	Width	Depth	Height	Seat Height	Seat Depth	SWL
COM001-COLOUR	62cm	62cm	80cm	45cm	49cm	150kg
COM002-COLOUR	132cm	62cm	80cm	45cm	49cm	250kg

### Configuration

COM001-COLOUR: Comfort Tub Chair

COM002-COLOUR: Comfort Tub 2 Seater Sofa

### Upholstery

See page 113



Find our products on the NHS Supply Chain Catalogue



# Soft Seating



## BIT,POU,CUBE & DOT Stools

Medi-Plinth offers a modular range of soft-seating stools; such as the Bite, Double Bite, Dot, Cube, and Pouffe styles. These bring both visual appeal and practical robustness to communal and waiting areas in healthcare environments. Each stool is crafted from high-density, high-resilience foam, ensuring long-lasting comfort and support in high-traffic settings.

With a safe working load of 150kg, these stools are CE-marked and manufactured in the UK, reflecting their compliance with clinical standards and strong build quality. A five-year manufacturer's warranty on all waiting-room furniture provides added assurance of their durability and value.

Available in a broad palette of soft-seating colours to complement interior themes or departmental branding.

Code	Width	Depth	Height	Seat Height	Seat Depth	SWL
BIT001-COLOUR	55cm	50cm	45cm	45cm	45cm	150kg
BIT002-COLOUR	55cm	30cm	45cm	45cm	45cm	150kg
DOT001-COLOUR	55cm	50cm	45cm	45cm	45cm	150kg
CUBE004-COLOUR	45cm	45cm	45cm	45cm	45cm	150kg
POU001-COLOUR	50cm	50cm	45cm	45cm	45cm	150kg

### Configuration

- BIT001-COLOUR: Bite Stool
- BIT001-COLOUR: Double Bite Stool
- POU001-COLOUR: Pouffe Stool
- CUBE004-COLOUR: Cube Stool
- DOT001-COLOUR: Dot Stool

### Upholstery

See page 113



# Soft Seating



## URB001/A001/A002

The Medi-Plinth Urban Seating range delivers contemporary, modular seating solutions specifically designed to perform in high-traffic healthcare environments such as waiting rooms, reception areas, and communal spaces.

Available as side chairs, armchairs, and two-seater sofas, each unit is constructed using high-density, high-resilience foam to provide consistent support, durability, and long-term comfort for a wide variety of users. Every model is finished with stylish lacquered legs, adding a refined design detail that complements contemporary interior schemes. The range is manufactured in the UK and carries CE Mark certification, offering reassurance of quality, safety, and compliance with relevant healthcare standards.

Robust, adaptable, and visually engaging, the Urban Seating collection allows facilities to create cohesive, flexible layouts that enhance patient comfort.



Code	Width	Depth	Height	Seat Height	Arm Height	SWL
URB001-COLOUR	50cm	60cm	84cm	45cm	n/a	150kg
URBA001-COLOUR	62cm	48cm	85.5cm	45cm	68cm	150kg
URBA002-COLOUR	137cm	50cm	88cm	45cm	67.5cm	150kg

### Configuration

URB001-COLOUR: Urban Side Chair with Lacquered Legs

URBA001-COLOUR: Urban Armchair with Lacquered Legs

URBA002-COLOUR: Urban 2 Seater with Lacquered Legs

### Upholstery

See page 113



# Beam Seating



## BEAMU Waiting Room Seating

The Medi-Beam upholstered seating range offers modular, robust seating for communal areas such as waiting rooms and reception zones.

Available in configurations from single chairs to four-seat benches, this seating system lets you tailor layouts to specific space requirements.

Each seat features a durable black epoxy-coated mild steel frame, complemented by non-marking plastic feet, and may be specified with or without armrests.

This flexibility supports both fixed and freestanding installation to meet a variety of layout preferences. Each seat supports a maximum safe working load of 114kg and is fully UK-manufactured and CE-marked.

Upholstery is offered in our 14 standard vinyl colours, engineered for high-traffic environments. These finishes are MRSA-inhibiting, fire-retardant, and treated with Bio-Pruf to resist mould, mildew, and odours.

This range delivers a smart, hygienic, and highly customisable seating solution engineered for the rigour of high-traffic healthcare environments.

Code	Width	Depth	Height	Seat Height	Arm Height	SWL
CHRU01-COLOUR	46cm	57cm	82cm	53cm	n/a	114kg
CHRU01A-COLOUR	70cm	57cm	82cm	53cm	67cm	114kg
BEAMU02-COLOUR	100cm	57cm	82cm	53cm	67cm	114kg
BEAMU02A-COLOUR	132cm	57cm	82cm	53cm	67cm	114kg
BEAMU03-COLOUR	150cm	57cm	82cm	53cm	67cm	114kg
BEAMU03A-COLOUR	182cm	57cm	82cm	53cm	67cm	114kg
BEAMU04-COLOUR	200cm	57cm	82cm	53cm	67cm	114kg
BEAMU04A-COLOUR	232cm	57cm	82cm	53cm	67cm	114kg

### Configuration

- CHRU01-COLOUR: Single Waiting Room Chair (Black Frame/Upholstered)
- CHRU01A-COLOUR: Single Waiting Room Chair with Arms (Black Frame/Upholstered)
- BEAMU02-COLOUR: 2-Seater Waiting Room Bench (Black Frame/Upholstered)
- BEAMU02A-COLOUR: 2-Seater Waiting Room Bench with Arms (Black Frame/Upholstered)
- BEAMU03-COLOUR: 3 Seater Waiting Room Bench (Black Frame/Upholstered)
- BEAMU03A-COLOUR: 3 Seater Waiting Room Bench with Arms (Black Frame/Upholstered)
- BEAMU04-COLOUR: 4 Seater Waiting Room Bench (Black Frame/Upholstered)
- BEAMU04A-COLOUR: 4 Seater Waiting Room Bench with Arms (Black Frame/Upholstered)

# Breeze Patient Chairs



## BREEZE-001/02/03/04

The Breeze 2-Wheel Patient Chair provides ergonomic comfort with a reclining seat, high-density polyurethane foam padding, and an adjustable headrest, along with height-adjustable armrests.

Constructed on an epoxy-coated steel frame, it includes essentials like IV pole sockets and under-seat footrests, and features gas strut control for independent adjustment of the backrest and leg rest. The chair is upholstered in antibacterial vinyl and mounted on two braked Ø50 mm castors.

Breeze 4-Wheel Patient Chair enhances maneuverability with four braked Ø100 mm castors for easy transport. It retains the ergonomic design, comfort upholstery, and adjustment mechanisms of the 2-Wheel variant, and shares equivalent dimensions, extended length, and weight-bearing capacity.

It retains the ergonomic padding and easy-clean vinyl, offering the same reclining and “zero gravity” comfort experience. Their thoughtful design allows them to transition easily between different clinical uses, making them suitable for environments such as GP surgeries, outpatient clinics, and specialist practices. This flexibility helps maximise room usability while maintaining a professional, modern aesthetic.



Code	Dims	Ext Length	Backrest Dims	Legrest Dims	Footrest Dims
BREEZE-00*	122.5 x 72 x 86cm	165cm	84 x 51cm	51 x 34cm	29-35 x 22cm

Code	Backrest Tilt	Arm rests Dims	SWL	Weight w/o Accessories
BREEZE-00*	85-168°	70 x 49cm	180kg	45kg

### Configuration

BREEZE-001: Breeze 2 Wheel Patient Chair with Foot Brakes

BREEZE-002: Breeze 4 Wheel Patient Chair with Foot Brakes & Transport Handle

BREEZE-003: Breeze 4 Wheel Patient Chair with Foot Brakes, Foot Support & Transport Handle

BREEZE-004: Breeze 4 Wheel Patient Chair with Central Brake & Foot Tray



Accessories	Code
IV Pole for Patient Chair	BREEZE-AC003
Tray for Patient Chair	BREEZE-AC002
Paper Roll Holder for Patient Chair	BREEZE-AC001



## Handling

Each model in the Breeze range is engineered for smooth, controlled movement in clinical environments.

Easy-grip push handles support manoeuvrability in tight or high-traffic spaces, while the 4-wheel and Plus models feature a centralised brake system for added control. Backrest and leg rest adjustments are assisted via reliable gas springs, allowing staff to reposition patients effortlessly.

Optional IV pole supports and accessory mounts increase versatility in multi-disciplinary care settings. On the 4-Wheel and Plus models, a centralised brake system allows all wheels to be locked or set for directional travel.



## Comfort

Patient comfort is central to the Breeze design. The chairs are fitted with ergonomically contoured cushions made from high-density polyurethane foam, upholstered in a soft-touch, antimicrobial, and moisture-resistant vinyl that is both anti-static and easy to clean.

The adjustable backrest and leg rest allow patients to find an optimal position for rest or treatment, while the smooth surfaces and rounded edges reduce pressure points and skin shear. The materials and construction ensure suitability for extended use without compromising comfort or hygiene.



## Safety

The Breeze Chair range is designed with patient safety at the forefront. Integrated, fold-away armrests allow for easy side access and safer patient transfers, while their locking mechanism ensures secure positioning during use.

The sturdy steel frame is fitted with high-quality braking castors to prevent unwanted movement, and all materials are compliant with NHS infection control standards.

Upholstery meets BS7176 (Medium Hazard) fire safety requirements, and all models conform to Regulation (EU) 2017/745 for medical devices.

# Geriatric Recliner Chair



## 6700 Hydraulic Recliner Chair

The Hydraulic Geriatric Recliner Chair delivers optimal comfort, functionality, and hygiene for clinical and care environments. Engineered with patient support in mind, the chair incorporates a high-density, easy-to-clean Future fabric upholstery that is waterproof, durable, resistant to disinfectants, and suitable even for outdoor use.

Constructed on an epoxy-coated steel frame that meets MDR and CE medical device certification standards. Manoeuvrability is ensured by Ø125mm locking castors, with the option to upgrade to larger Ø300mm front castors for challenging surfaces.

Ergonomic adjustments use reliable gas spring mechanisms to control backrest, seat tilt, leg section, and extendable footrest, complemented by fold-back armrests and neck cushions to enhance patient positioning.

Integrated practical features such as sturdy push handles and a detachable meal tray (adjustable in depth) make it suitable for multi-functional care roles. Accessories like IV pole adapters and seat belts further extend its adaptability within clinical workflows.

Code	Total Width	Seat Height	Seat Width	Backrest adj	Footrest length adj
6700	67cm	55cm	49cm	26°	14cm

Code	Leg Section adj	Headrest Height adj	SWL	Weight w/o Accessories
6700	-2 - 47°	9cm	150kg	59kg

### Configuration

6700: Geriatric Recliner Chair, Hydraulic- inc Neck Cushion, Meal Tray, Fold Away Foot Rest, Arm Rests & Push Handles.

Accessories	Code
Ø300mm Wheels in Front	WLFW300/125GH
Seat Belt	6700150
IV Pole Adapter	GH20871
IV Pole, 4 Hooks. Height Adjustment with One Hand - Adapter Required	60121AMI

# Medical Recliner Chair



## 6801 Hydraulic Recliner Chair

Crafted for medical examination, sampling, and safe patient transfers, the Hydraulic Medical Recliner Chair incorporates a stepless hydraulic height adjustment from 51cm to 83cm, operated via a convenient foot pump.

The backrest and leg section are individually adjustable into a fully reclined position with gas spring assistance, while a folding footrest ensures both patient comfort and space efficiency.

Its robust epoxy-coated steel frame and seamless, hygienic upholstery meet stringent infection-control requirements, and the chair includes features like locking 125mm castors with directional control, five-position folding armrests with quick-lock means, an ergonomically shaped seat, and a neck cushion with hygiene-oriented handles and knobs.

With compact maximum dimensions—67cm width and 159–168cm length this chair excels in both small spaces and demanding clinical environments. Its mobility is enhanced by durable castors and optional front wheels, while accessory integration, including IV pole adapters and a hygienic sampling pillow, ensure comprehensive functionality.

Code	Total Width	Total Length	Seat Width	Seat Depth	Backrest Adj
6801 AM	67cm	159 - 168cm	47cm	46cm	90°

Code	Leg Section Adj	Headrest Height Adj	SWL	Weight w/o Accessories
6801 AM	90°	9cm	150kg	72kg

### Configuration

6801 AM: Medical Recliner Chair, Hydraulic- inc Neck Cushion, Meal Tray, Adjustable Length Foot Rest, Arm Rests & Push Handles

Accessories	Code
Ø300mm Wheels in Front	WLFW300/125GH
Calf Support Length Adjustment	Calf support (slide)
IV Pole Adapter	GH20871
IV Pole, 4 Hooks. Height Adjustment with One Hand - Adapter Required	60121AMI
Durable Hygiene Pillow for Sampling 35x45cm	50045



# Patient Handling

Medi-Plinth is proud to be an official distributor of Rebotec UK products. As a trusted partner, we bring Rebotec's premium functional mobility aids, ranging from commode chairs to shower stools and rollators to the UK market. This collaboration expands our offering to include trusted, German-engineered products renowned for enhancing independence and dignity for individuals with reduced mobility



Commodes

Available in a wide choice of models, Rebotec commodes can be tailored to suit any healthcare environment, from GP surgeries to hospital outpatient departments. Built with strength, stability, and patient safety in mind, they are designed for reliable use across a broad range of patient needs.



Hoists

Medi-Plinth supplies a specialist range of high-quality patient hoists designed to deliver safe, efficient, and comfortable transfers in healthcare settings. Engineered in Germany for precision and durability, Rebotec hoists offer smooth operation, ergonomic handling, and robust construction.



Shower Chairs

Combining ergonomic versatility with clinical practicality, shower chairs are ideal for long-stay patients, geriatric care, and therapeutic environments. Designed for comfort, adaptability, and ease of maintenance, they feature practical additions such as fold-back arms and an integrated meal tray as standard.



Bonn  
Mobile Commode Chair



Rebotec is recognised worldwide for its precision-engineered healthcare equipment, designed to withstand the demands of daily use while delivering comfort, safety, and ease of handling. Each product is crafted with attention to detail, combining robust construction with ergonomic features that enhance both patient experience and caregiver efficiency.



Through our partnership as the official UK distributor, Medi-Plinth ensures that healthcare providers have direct access to Rebotec's innovative range. From acute care to long-term facilities, these solutions are tailored to meet the diverse requirements of modern clinical environments.

# Static Commode Chairs



## Köln & Kiel Commode Chairs

The Rebotec Köln Commode Chairs are a lightweight yet highly durable static commode designed for hygienic use across bedside, shower, and toilet settings.

It features swing-open armrests to facilitate safe and seamless side transfers, a removable pail on smooth rails, and a cushioned seat for patient comfort.

Crafted with non-slip rubber feet for stability, these chairs support a maximum user weight of 130 kg. With a compact footprint of 57 cm in width, 63 cm in depth, and weighing just over 11kg, the adjustable-height variant (Kiel) adds further flexibility to meet varying patient needs.

The Rebotec Kiel Commode Chair offers enhanced ergonomic adaptability for clinical environments needing adjustable-height support.

Designed for multifunctional use at bedside, over toilets, or in showers, the chair includes fold-away armrests, a padded removable seat cushion, and an integrated pail with rail for discreet waste handling. Built for ease of cleaning and patient safety.



Code	Width	Depth	Seat Width	Seat Height
340.54.00 (Köln)	57cm	63cm	46cm	52cm
347.54.00 (Kiel)	57cm	63cm	46cm	51-56cm

Code	Seat Depth	Armrest Height	Backrest Height	Over-seat Height
340.54.00 (Köln)	45cm	26cm	52cm	53cm
347.54.00 (Kiel)	45cm	26cm	52cm	53cm

### Configuration

340.54.00: Köln Static Commode Chair, Fixed Height

347.54.00: Kiel Static Commode Chair, Adjustable Height



Find our products on the NHS Supply Chain Catalogue



# Mobile Commode Chairs



## Bonn, Hamburg & Boston Commode Chairs

The Rebotec Bonn, Hamburg, and Boston mobile commode chairs are manufactured from high-strength, fully synthetic materials with seamless joints to prevent dirt accumulation and ensure optimal hygiene.

Designed for durability in high-use environments, the frames are completely rustproof and easy to disinfect, making them suitable for hospitals, care homes, and community care.

All models feature retractable armrests for easier lateral transfers, ergonomically contoured backrests for patient comfort, and integrated push handles for effortless manoeuvrability.

Four swivel castors with brakes provide secure positioning during use, while height-adjustable swing-away footrests further enhance patient support. The commodes are supplied with a removable commode pan and lid, ensuring safe and hygienic waste handling.

Fit with four 125mm swivel castors, each with an individual brake, delivering stability and smooth handling.

Code	Width	Depth	Seat Width	Seat Height	Seat Depth
343.**.00 (Bonn)	57cm	87cm	46cm	53cm	45cm
356.54.00 (Hamburg)	56cm	87cm	46cm	54-59cm	48cm
342.54.00 (Boston)	62cm	89cm	52cm	53cm	48cm

Code	Toilet Height w/out Bucket	Toilet Height w/ Bucket	Castors	SWL
343.**.00 (Bonn)	47cm	44cm	12.5cm (5")	130kg
356.54.00 (Hamburg)	45-50cm	48-53cm	12.5cm (5")	130kg
342.54.00 (Boston)	44cm	47cm	12.5cm (5")	150kg

## Configuration

343.54.00: Bonn Mobile Commode Chair, Fixed Height

343.54.22: Bonn Mobile Commode Chair with Hygiene Opening, Fixed Height

356.54.00: Hamburg Mobile Commode Chair- Adjustable Height

342.54.00: Boston Wide Mobile Commode Chair- Fixed Height

# Tilting Shower Commodes



## Phoenix Tilting Shower Commode

The Rebotec Phoenix Shower Commode range is engineered to deliver maximum versatility, hygiene, and comfort in both residential and acute care settings. Constructed from fully synthetic materials with seamless joints, the frame is completely rustproof and non-porous, preventing dirt accumulation and enabling thorough disinfection in line with strict infection control standards. Designed for multi-functional use, the Phoenix range combines shower chair, commode, and transport functions in one unit.

**Phoenix Multi** – A height-adjustable, multi-function shower commode chair with swing-away footrests, retractable armrests, and 4 braked castors for secure positioning. Suitable for showering, toileting, and patient transport.

**Phoenix Tilt** – Incorporates all features of the Phoenix Multi with the addition of tilt-in-space functionality for improved patient comfort and pressure relief during extended use. Ideal for users with reduced mobility or postural needs.

**Phoenix Tilt with Comfort Seat** – Adds a padded, ergonomically shaped comfort seat to the Phoenix Tilt, enhancing user support and reducing fatigue for patients requiring longer bathing or toileting sessions.

Code	Width	Depth	Seat Width	Seat Height	Seat Depth	SWL
350.54.**	65cm	111cm	54cm	58cm	43cm	150kg
353.54.**	68cm	110cm	54cm	57cm	43cm	200kg
351.54.**	68cm	112cm	54cm	60-100cm	43cm	150kg
352.54.**	68cm	112cm	54cm	60-100cm	43cm	150kg

## Configuration

- 350.54.10: Manual Tilting Shower Chair Commode (150kg)- Fixed Height, Seat, Hygiene Opening, Bucket Device
- 350.54.40: Manual Tilting Shower Chair Commode (150kg)- Fixed Height, Inc Seat w/out Hygiene Opening
- 353.54.12: Manual Tilting Shower Chair Commode (200kg)- Fixed Height, Seat, Hygiene Opening, Bucket Device
- 353.54.40: Manual Tilting Shower Chair Commode (200kg)- Fixed Height, Inc Seat without Hygiene Opening
- 351.54.10: Manual Tilting Shower Chair Commode (150kg)- Hydraulic Adj Height, Seat, Hygiene Open, Bucket Device
- 351.54.40: Manual Tilting Shower Chair Commode (150kg)- Hydraulic Adj Height, Seat without Hygiene Opening
- 352.54.10: Manual Tilting Shower Chair Commode (150kg)- Electric Adj Height, Seat, Hygiene Open, Bucket Device
- 352.54.40: Manual Tilting Shower Chair Commode (150kg)- Electric Adjustable Height, Inc Seat w/out Hygiene Opening



Find our products on the NHS Supply Chain Catalogue

Accessories	Code
IV Pole	440.00.93
Headrest, lateral support	450.10.60
Safety Belt (Chest & Pelvic Belt)	322.30.20



## Handling

The Phoenix Tilting Shower Chair range is engineered for controlled, smooth manoeuvrability in demanding care environments. Easy-grip push handles and high-quality castors ensure effortless movement, even in confined or high-traffic spaces.

The tilt-in-space function is operated with precision to support safe positioning during washing, toileting, and transfers, while central braking systems provide stability during use.

Adjustable footrests, swing-away armrests, and compatibility with a range of accessories enhance flexibility for multi-disciplinary care.

## Comfort

Patient comfort is a core feature of the Phoenix design. The contoured seat and backrest are ergonomically shaped and padded for long-term sitting comfort, with water-resistant, antimicrobial upholstery that is soft to the touch and easy to clean.

Tilt and recline functions allow carers to adjust seating position for optimal support, personal care, and pressure redistribution. The smooth, seamless surfaces reduce skin shear and make cleaning fast and effective, ensuring suitability for extended daily use without compromising hygiene or comfort.

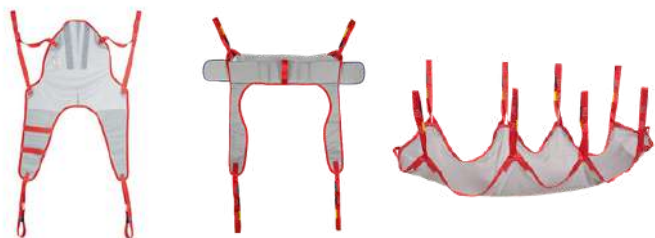
## Safety

Built with patient security as a priority, the Phoenix range incorporates a stable, corrosion-resistant frame with integrated safety features.

Locking castors prevent unintended movement, while adjustable, fold-away armrests and secure foot support reduce the risk of accidents during transfers.

The design meets stringent infection control standards and is compliant with Regulation (EU) 2017/745 for medical devices, with upholstery meeting BS7176 (Medium Hazard) fire safety requirements.

# Lifting Hoists



## Arnold & James Patient Hoists

Built with a high-strength epoxy-coated steel frame, the range delivers exceptional durability while remaining easy to manoeuvre thanks to its four swivel castors, two of which are braked for secure positioning. The low under-ride profile allows smooth access under most beds and furniture, while the base width is adjustable via a foot-operated mechanism to accommodate different patient situations and equipment layouts.

The Arnold 150 with Scale PW 600 combines all the core features of the standard model with an integrated medical-grade digital scale, enabling weight measurement during transfer to support accurate clinical assessment and care planning. All models are equipped with electric lifting powered by a rechargeable battery pack, emergency stop and mechanical lowering systems, ergonomic push handles, and compatibility with a range of slings, ensuring both patient comfort and operator safety.

Specifically designed to assist patients with rising from seated to standing positions, the James 150 Sit-to-Stand hoist is ideal for low mobility use cases. It shares the same epoxy-coated steel frame and portability via four swivel castors (two braked) as the Arnold, while offering tailored support through leg straps, 180° grab handles, and angled footrests.



Code	Lift Height Min.	Lift Height Max.	Underpin Height	Weight	SWL
310.00.10	55cm	174cm	14cm	43kg	125kg
320.00.10	55cm	174cm	14cm	43kg	150kg
320.06.10	55cm	174cm	14cm	43kg	150kg
320.02.10	84cm	150cm	14cm	53cm	150kg

Accessories	Code
Toilet Sling w/ Velcro Fastener Size M, L or XL	321.50.20/ 321.50.25/ 321.50.30
Net/Bath Sling Size S, M, XL/XXL	321.20.10/ 321.20.21/ 321.20.30
Back Sling w/ Velcro Fastener Size M/L, XL, XXL (James Only)	321.70.20/ 321.70.30/ 321.70.40
Wide Hanger- Four Point Spreader Bar	420.10.42
Horizontal Sling	321.60.30

## Configuration

- 310.00.10: Arnold 125 Patient Hoist
- 320.00.10: Arnold 150 Patient Hoist
- 320.06.10: Arnold 150 Patient Hoist w/ Scale PW 600
- 320.02.10: James 150 Standing Up Hoist



# Shower Chairs & Stools



## Lyon, Monaco, Nizza & Cannes

The range offers lightweight, modular solutions for both showering and toileting needs in healthcare and home environments.

Crafted from durable plastic and aluminium components, these chairs feature a simple height adjustment mechanism with seven settings, accommodating users up to 130 kg.

Their compact design ensures they fit over standard toilets or in shower spaces, making them highly versatile. The robust yet lightweight construction (approximately 5 kg) allows for easy repositioning and handling.

The Shower Chair features adjustable seat heights from 42–57 cm. It is also available without a backrest to meet specific space or therapeutic requirements.

Both models are supplied with essential accessories such as the commode bucket (where applicable).

Code	Seat Height	Seat Width	Seat Depth	Footprint	Weight	SWL
362.00.30	42-57cm	46cm	40cm	51 x 59cm	5kg	130kg
362.00.31	42-57cm	46cm	40cm	51 x 59cm	5kg	130kg
362.00.20	42-57cm	46cm	40cm	45 x 59cm	3.8kg	130kg
363.00.30	42-57cm	40cm	40cm	51 x 53cm	4.8kg	130kg
363.00.20	42-57cm	40cm	40cm	45 x 53cm	3.6kg	130kg
363.00.10	42-57cm	40cm	40cm	45 x 45cm	2.8kg	130kg

### Configuration

362.00.30: Lyon Stable Commode Stool with Armrests

362.00.31: Lyon Stable Commode Chair with Bucket

362.00.20: Brest Stable Commode Chair

363.00.30: Nizza Stable Shower Chair

363.00.20: Cannes Stable Shower Stool with Armrests

363.00.10: Monaco Stable Shower Stool



# Children's Commodes



## Augsburg Mobile Commodes

The Children's Mobile Commode range is purpose-built to meet the needs of paediatric care, combining safety, stability, and ease of use. Constructed from robust, corrosion-resistant materials, the frames are lightweight for easy manoeuvring yet strong enough to withstand daily use in hospitals, rehabilitation units, and home care environments. The fixed-height design ensures predictable transfer height, while smooth-rolling castors allow the commode to be positioned precisely where needed.

Two attended models are offered, with a choice of 3" or 4" castors, providing flexibility for different care settings and flooring types. For children with greater mobility, a self-propelled model enables increased independence, featuring large rear wheels with push rims for easier self-manoeuving.

All models include a supportive backrest, comfortable seating, swing-away or flip-up armrests to facilitate side transfers, and a removable commode pan with lid for simple and hygienic waste disposal. The design prioritises infection control.

Code	Width	Depth	Seat Width	Seat Height	Seat Depth	SWL
339.04.97	53cm	87cm	40cm	54cm	35cm	80kg
339.24.97	66cm	97cm	40cm	55cm	35cm	80kg

Code	Toilet Height	Toilet Width	Weight	Castors
339.04.97	40-43cm	33cm	17.3kg	4" Castors
339.24.97	44cm	32cm	24.9kg	24" Self Propelled

## Configuration

339.04.97: Augsburg Mobile Commode, Fixed Height, Attended (4" Castors)

339.24.97: Augsburg Mobile Commode, Fixed Height, Self-Propelled (24" Castors)



# Children's Rollators



## Fixi & Fox Rollators

The Fixi and Fox paediatric rollators are purpose-built to provide safe, stable mobility support for children in clinical, rehabilitation, and home care settings.

Constructed from lightweight yet robust materials, both models ensure durability while remaining easy to manoeuvre. Their compact frames are designed for indoor and outdoor use, enabling young users to move with greater confidence and independence.

Height-adjustable handles allow precise fitting to each child's needs, while ergonomic grips enhance comfort and control during use.

The Fixi features a standard mobility frame for everyday walking support, whereas the Fox incorporates a forearm support frame for children requiring additional upper-body stability. Both models are equipped with reliable braking systems for safety, easy folding mechanisms for transport and storage, and smooth-rolling wheels that perform well across different floor types.



Code	Width	Depth	Height of Handle	Weight	Height Adj Steps	SWL
186.00.1*	68cm	58cm	61-70cm	6.2kg	5	100kg
186.00.2*	68cm	58cm	70-78cm	6.3kg	5	100kg

### Configuration

186.00.10: Fixi Rollator for Children, Handle Height 61-70cm

186.00.15: Fixi Rollator for Children, Inc Seat, Handle Height 61-70cm

186.00.20: Fox Rollator for Children, Handle Height 70-78cm

186.00.25: Fox Rollator for Children, Inc Seat, Handle Height 70-78cm



# Rollators



## Polo Plus & Polo Comfort Rollators

The Polo Plus-T and Polo-Comfort rollators are high-quality mobility solutions designed to combine safety, durability, and ease of use in both healthcare and community settings.

The Polo Plus-T Rollator is a lightweight aluminium folding rollator engineered for safety, durability, and ease of use in both healthcare and community environments. It incorporates a dual-action braking system, puncture-proof tyres, and a reversible resting seat, making it ideal for short breaks during use. An integrated Velcro-secured storage pouch offers convenient space for personal items. Available in small, regular, and tall sizes, the Polo Plus-T accommodates a range of user heights while maintaining a stable footprint.

The Polo-Comfort Rollator builds on the robust design of the Polo Plus-T while enhancing user experience with a padded seat and backrest, offering additional comfort for prolonged use. Retaining the same folding frame, braking reliability, and ergonomic sizing, it provides the same capacity and stability while offering improved seated support.



Code	Width	Depth	Height of Handle	Weight	SWL	Seat Height	Seat Width
181.10	67cm	70cm	64-74cm	7.4kg	120kg	49cm	48cm
181.20	67cm	70cm	69-82cm	7.6kg	120kg	55cm	48cm
181.30	67cm	70cm	74-92cm	7.8kg	120kg	60cm	48cm
182.20	68cm	73cm	70-83cm	7.8kg	120kg	56cm	48cm
182.30	68cm	78cm	77-96cm	8kg	120kg	62cm	48cm

### Configuration

- 181.10: Polo Plus-T Aluminium Rollator with Bag, Size S
- 181.20: Polo Plus-T Aluminium Rollator with Bag, Size M
- 181.30: Polo Plus-T Aluminium Rollator with Bag, Size L
- 182.20: Polo Comfort Aluminium Rollator Fully Equipped, Size M
- 182.30: Polo Comfort Aluminium Rollator Fully Equipped, Size L



Find our products on the NHS Supply Chain Catalogue



# Crutches



## Safe-In Crutches Range

Rebotec's Safe-In forearm crutches deliver a blend of ergonomic design, durability, and safety, ideal for healthcare and rehabilitation settings.

The standard-size version features a near-closed forearm cuff with a hinge, reducing wrist fatigue and enabling a more natural arm swing. It includes an ergonomic handle with front and rear reflectors for improved visibility and ten-step height adjustability, supporting user weights up to 130 kg.

For paediatric use, the Safe-In Kids model offers the same supportive and adjustable design in a lightweight, colourful format tailored to young users' needs. It accommodates up to 100 kg and features three height adjustments, making it a practical solution for child rehab and mobility.

Rebotec also offers a Safe-In Extra Long version, which extends handle height from 85 to 107 cm to accommodate taller individuals, while retaining the same ergonomic and weight-bearing features.



Code	Height from Handle to Cuff	Height of Handle	Diameter Ø in mm	SWL
116.10.20	22-25cm	85-107cm	22/19	130kg
116.10	22-25cm	75-97cm	22/19	130kg
120.50.10	16-21cm	75-97cm	20/16.9	130kg
117.10	22-25cm	74-97cm	22/19	130kg

### Configuration

116.10.20: Safe-In Crutch Size Extra Long

116.10: Safe-In Crutch Size Standard

120.50.10: Safe-In-Light Crutch Size Youth

117.10: Safe-In-Soft Crutch with Ergonomic Handle Size Standard



Find our products on the NHS Supply Chain Catalogue



# Warranty Terms

At Medi-Plinth, we understand that reliability and durability are essential in healthcare equipment. To provide assurance and protect investment value, we offer clear and robust warranty cover across our product ranges, including Medi-Plinth couches and plinths, Shuttleworth furniture solutions, and Rebotec UK mobility and hygiene products.

All Medi-Plinth couches and plinths are supplied with a comprehensive warranty. Actuators, control boxes, hand/foot switches, and gas springs are covered for three years against defects of design, material, or manufacture. Painted and plated metalwork is backed by a seven-year warranty, while upholstery is warranted for one year. This structure ensures long-term protection while recognising the natural lifecycle of high-use components.

As a brand manufactured under Medi-Plinth, all Shuttleworth products are backed by a two-year warranty against defects in materials and workmanship. Core structural components are included, while consumables and high-wear parts such as castors or finishes carry a one-year cover. Warranty support is designed to minimise downtime and maintain service continuity in demanding hospital environments.

Rebotec products are covered by a two-year manufacturer's warranty, ensuring confidence in their German-engineered quality. This applies to frames, mechanisms, and fittings across the mobility, commode, and hygiene product ranges. As with all warranties, consumable elements and upholstery are subject to one-year coverage. The warranty does not cover accidental damage or misuse but provides comprehensive assurance for normal clinical use.

Across all brands, our warranty policies are structured to support NHS Supply Chain partners, private healthcare providers, and community services with reliable, compliant, and well-supported equipment. Our aftersales team works directly with clinical teams to provide prompt service responses, ensuring equipment remains safe, operational, and cost-effective throughout its lifecycle.



# Cleaning Instructions

To maintain upholstery appearance, the fabrics should be cleaned regularly to remove fatty substances and soiling. Light soiling can be removed by wiping with a damp, soapy cloth or sponge and subsequent rinsing with water before drying. If dirt is ingrained, the surface may be scrubbed with a soft brush. For stubborn stains a mix of 1 part methylated spirits to 5 parts water may be used. A very mild antiseptic may also be used if required.

All of our ranges have been tested and are capable of withstanding the most rigorous cleaning regime. Our fabrics can be used with all NHS approved cleaning solutions such as Chlor-Clean, Haz-Tab, Milton and Tristel. Clinell wipes and other alcohol based wipes are safe to use on our vinyls. The fabrics are resistant to most mild acids, alkalis and household stains. Some substances such as ballpoint pen, lipstick, newsprint and food colourings may be absorbed by the vinyl and cause permanent staining.

Shuttleworth furniture are manufactured for heavy-duty healthcare. Surfaces should be wiped with warm water and a mild detergent/approved healthcare-grade disinfectant wipes. Stainless steel components can be cleaned with non-abrasive cleaners; harsh scouring pads should be avoided to maintain surface integrity. For bins, trolleys, and ward equipment, internal compartments should be disinfected regularly using chlorine-based cleaning agents compatible with clinical waste handling. All castors should be checked and cleaned periodically.

Rebotec mobility and hygiene products are designed for long-term clinical use with easy-to-clean, non-porous materials. Frames and seating surfaces should be cleaned using warm mild soap or a healthcare-grade disinfectant solution. Disinfectants up to 70% alcohol content are suitable for sanitising plastic and coated metal surfaces. Upholstered or padded parts should be wiped with approved antimicrobial cleaning agents and dried thoroughly to maintain comfort and durability. Wheels and brake mechanisms should be cleaned frequently to ensure safe operation.





[www.medi-plinth.co.uk](http://www.medi-plinth.co.uk)

7-11 Holywells Road, Ipswich, Suffolk IP3 0DL - Call: +44 (0) 1473 212 010