



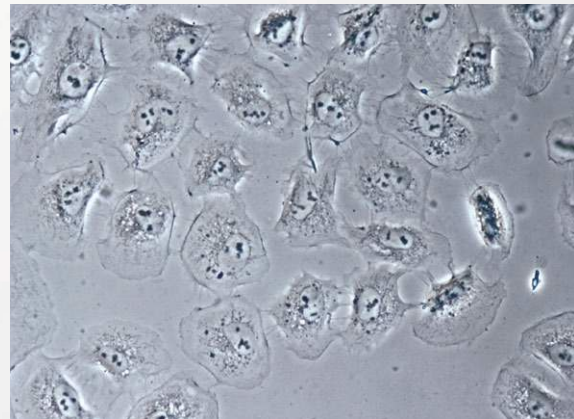
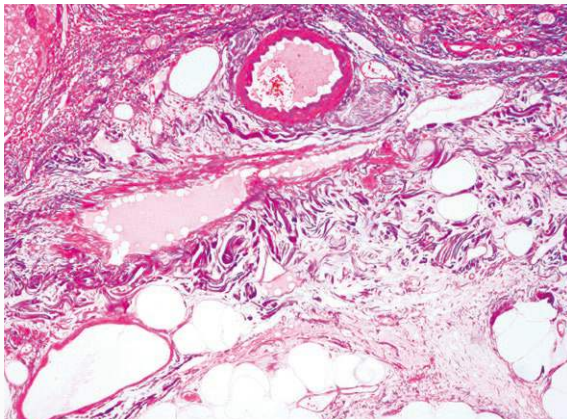
ECLIPSE E100

Biological Microscope



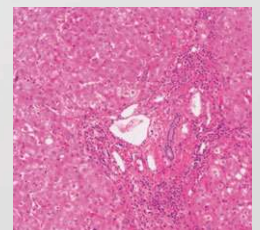
Shedding New Light On **MICROSCOPY**

Bright LED illumination, superb optical quality, durability and ergonomic touches, all exceed your expectations

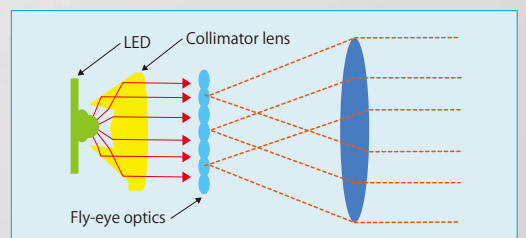


High-intensity LED Eco-illumination

The Eco-illumination provides enough brightness for phase contrast observation. With a fly-eye lens in the illuminator, uniform brightness is provided in the entire field of view. Using environmentally friendly long-life LEDs, Eco-illumination boasts a long lifetime of 60,000 hours and reduces the need for frequent lamp replacement. A halogen illumination model is also available.



Fly-eye lens



The ECLIPSE E100 features Nikon's unique, high-intensity LED illumination*, providing uniform brightness in the entire field of view. Optics that have been designed especially for the ECLIPSE E100 microscope, use state-of-the-art technology to produce outstanding performance. Nikon's CFI (Chromatic-aberration Free Infinity) optics achieve flat, sharp images that minimize distortion to the maximum. Colorless transparent specimens can be observed with phase contrast observation. Featuring a simple and easy-to-use design for beginners, strong rigidity to ensure high accuracy and a long life, and an easy-to-store structure, the ECLIPSE E100 is the perfect choice for a variety of purposes, including educational and routine laboratory research.

* A halogen illumination model is also available



Objectives for flat images

Nikon has developed the CFI BE Plan objectives, which feature superior image flatness, exclusively for the E100. Chromatic aberration and field curvature are corrected over the entire field of view. Images are clear and bright at every magnification. The E100 provides first class optical quality at a modest price.

Fungus-proof design

ECLIPSE E100 is designed to prevent fungus forming on the objectives, eyepieces and tubes even in high-humidity environments.

Ergonomic design

Compact, lightweight body with enhanced operability—providing ease of use



Binocular and trinocular tubes available

The ECLIPSE E100 employs a Siedentopf-type tube that provides a constant and accurate tube length. Both binocular and trinocular tubes are available. A digital camera can be attached to the trinocular tube.*

*See "Tube" on page 6.



Observation with comfort

The tube is inclined at 30°, allowing comfortable viewing in a natural posture. By simply swinging the front part of the tube, the user can change the eyepoint height. With a pupillary distance is 64 mm, for example, it can be moved 34 mm upwards or downwards. In addition, the interpupillary distance adjustment and the diopter adjustment ring are designed to accommodate a wide range of operators.

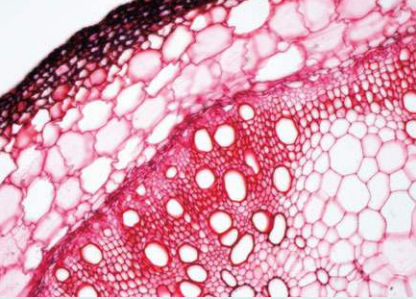
Smooth rotation quadruple nosepiece

The high-quality revolving nosepiece has a superior internal detent click-stop mechanism. A knurled elastic covered grip around the base of the nosepiece makes the nosepiece easy to rotate and eliminates the need to touch the objectives.

Double-plate mechanical stage

The built-in stage has a double-plate mechanism with an XY dual travel control. The large, flat stage surface facilitates easy specimen handling. Because the height of the X-axis guide rail is level with the stage surface and the stage surface is flat and smooth, glass slides move easily over the surface. A spring-loaded slide holder is included.





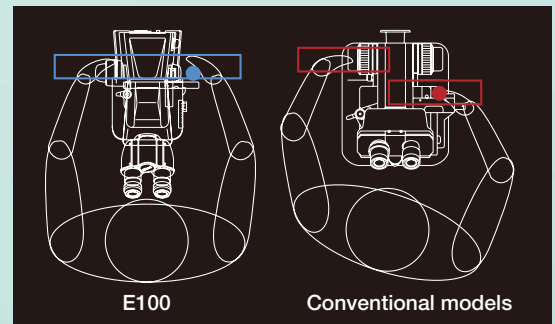
Condenser with position guide markings

The condenser comes with an aperture diaphragm with position guide markings for the 4X, 10X, 40X, 60X and 100X objectives to make operations quick and easy, ensuring perfect specimen images. The condenser position can also be adjusted (Simplified Kohler's Illumination System).



Coaxial coarse/fine focus knob

The coaxial coarse/fine focus knob is comfortably located at desk-height level. The focus knob and the stage handle are ergonomically designed and are located equidistant from the operator, meaning they can both be easily adjusted from a normal sitting position. In addition, the torque of the coarse focus knob can be adjusted.



Comparison of the positions of the stage handle and focus control knob

Easy halogen lamp replacement

As well as the LED illumination model, a halogen illumination model is also available that features a powerful 6V20W halogen lamp. Replacing the lamp is easy and trouble-free. Simply detach the field lens unit and replace.



Convenient for transportation and storage

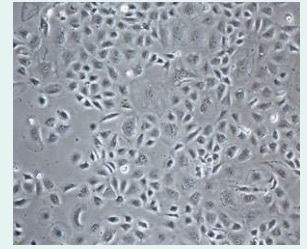
The microscope body is compact and lightweight. A cord hanger and storage case are available to make transporting and storing the E100 easier.



Accessories corresponding to a wide variety of applications

Phase contrast attachment

Simple phase contrast observation at 10X and 40X is possible with a single phase annulus slider. The aperture diaphragm automatically opens when the slider is inserted into the condenser. A phase contrast 100X slider is available as option.



Mirror unit

A mirror unit is available for observation where there is no access to a power source. Removal of the FL (field lens) unit and insertion of the mirror unit in its place is easy.



Tube

Siedentopf-type binocular and trinocular tubes are available. A digital camera can be attached to the trinocular tube.*
*With a 4X objective, the image shows uneven illumination.



Condenser

An Abbe condenser for brightfield observation and a phase condenser for phase contrast and darkfield observations are available.



Cord hanger

The power cord can be simply wound up when not in use.



Storage case

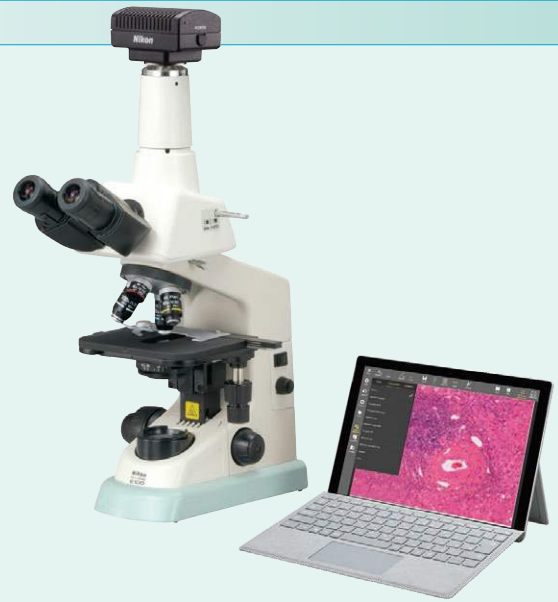
Available in both wood and aluminum, the dedicated storage case is handy for transporting and storing the E100.



Microscope camera

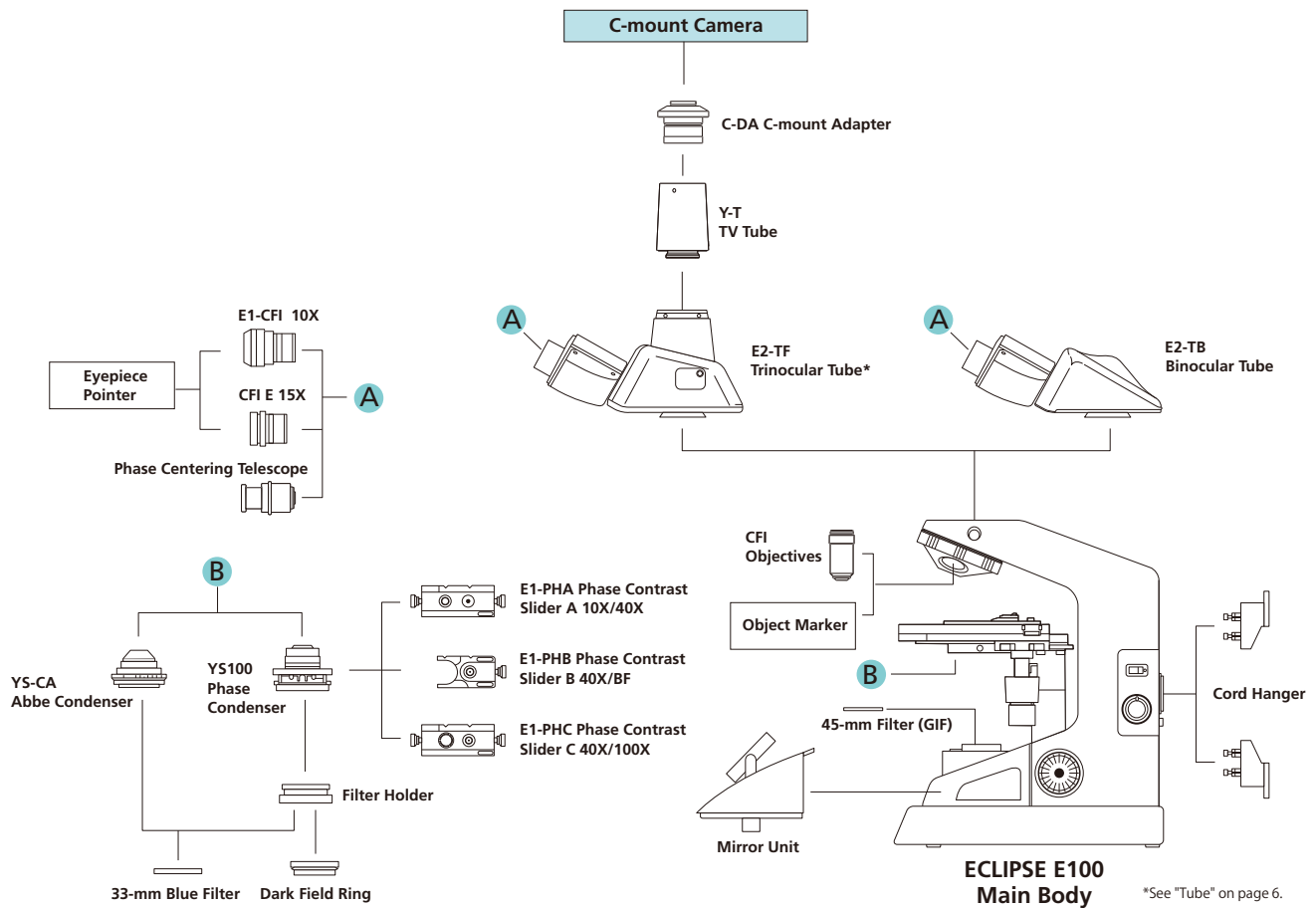
A camera can be mounted on the E100 via a trinocular tube*. The DS-Fi3 is a high-definition color camera equipped with a 5.9 megapixel CMOS image sensor that enables the acquisition of images up to 2880 x 2048 pixels, enabling fine-textured images in faithful color. Simplified camera settings and image acquisition are possible via a tablet PC using NIS-Elements L imaging software.

* The image may show uneven illumination with a 4X objective.



System diagram

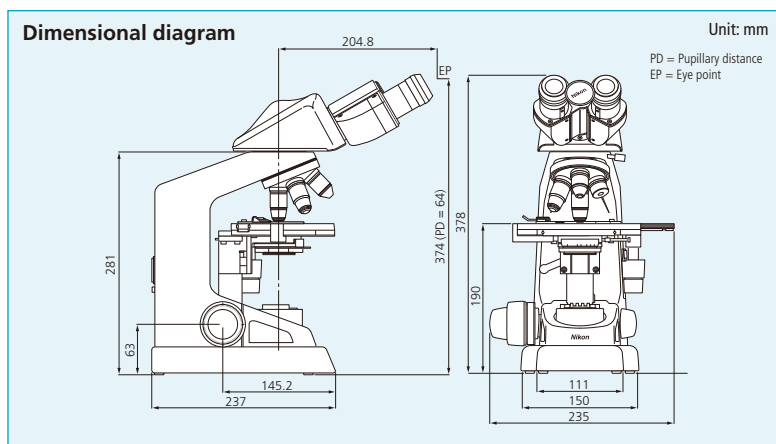
System diagram



Specifications

Main body	
Optical system	CFI Infinity Optical System, Simplified Kohler's Illumination System
Illumination	LED model: High luminescent white LED illuminator (Eco-illumination), Approx. 60,000 hours lifetime, Compliant multi-voltage (100 V-240 V) Halogen model: 6V20W halogen lamp, Compliant multi-voltage (100 V-240 V)
Fungus-proof eyepieces (F.O.V., mm)	With diopter adjustment • E1-CFI 10X (18) • CFI E 15X (12)
Focusing	Coaxial coarse/fine focusing, Cross roller guide, Focusing stroke: 22 mm, Coarse: 37.7 mm/rotation, Fine: 0.2 mm/rotation, Coarse motion torque adjustable
Fungus-proof tubes	Interpupillary distance adjustment: 47 mm to 75 mm, Inclination angle: 30°, 360° rotatable • E2-TB Binocular Tube • E2-TF Trinocular Tube, Eyepiece/Port: 100/0, 0/100
Nosepieces	Quadruple nosepiece (within main body), Revolving mechanism with multiple ball bearings, Elastic nosepiece grip-ring
Stages	Rectangular mechanical stage (within main body), with specimen holder, with vernier calibrations, Cross travel: 76 (X) x 40 (Y) mm, Stage size: 150 (W) x 134 (D) x 16 (H) mm
Fungus-proof objectives (NA / W.D., mm)	• CFI BE Plan Achromat 4X (0.10 / 25.00) • CFI BE Plan Achromat 10X (0.25 / 6.70) • CFI BE Plan Achromat 20X (0.40 / 3.70) • CFI BE Plan Achromat 40X (0.65 / 0.60) • CFI BE Plan Achromat 60X (0.80 / 0.25) • CFI BE Plan Achromat 100X Oil (1.25 / 0.14) • CFI BE Plan Achromat DL10X (0.25 / 6.70) • CFI BE Plan Achromat DL40X (0.65 / 0.60) • CFI BE Plan Achromat DL100X Oil (1.25 / 0.14)
Condensers	• YS-CA Abbe Condenser N.A. 1.25, Aperture diaphragm with position guide marking for respective objectives, 33-mm Blue Filter attachable • YS100 Phase condenser (optional), 33-mm Blue Filter attachable
Observation methods*	Brightfield, Darkfield, Phase contrast
Optional accessories	Phase contrast attachment, Object marker, Darkfield ring unit, Mirror unit, Cord hanger, Storage case
Power consumption (max.)	Normal value: 3 W (LED model), 33 W (halogen model)
Weight (approx.)	6 kg (Binocular standard set)

* Observations except brightfield require optional accessories.



Specifications and equipment are subject to change without any notice or obligation on the part of the manufacturer. June 2019 ©2006-19 NIKON CORPORATION

	WARNING	TO ENSURE CORRECT USAGE, READ THE CORRESPONDING MANUALS CAREFULLY BEFORE USING YOUR EQUIPMENT.
--	----------------	--

Monitor images are simulated.
Company names and product names appearing in this brochure are their registered trademarks or trademarks.
N.B. Export of the products* in this brochure is controlled under the Japanese Foreign Exchange and Foreign Trade Law.
Appropriate export procedure shall be required in case of export from Japan.
*Products: Hardware and its technical information (including software)



NIKON CORPORATION
Shinagawa Intercity Tower C, 2-15-3, Konan, Minato-ku, Tokyo 108-6290, Japan
phone: +81-3-6433-3705 fax: +81-3-6433-3785
<https://www.healthcare.nikon.com/>

ISO 14001 Certified
for NIKON CORPORATION

NIKON INSTRUMENTS INC.
1300 Walt Whitman Road, Melville, N.Y. 11747-3064, U.S.A.
phone: +1-631-547-8500; +1-800-52-NIKON (within the U.S.A. only)
fax: +1-631-547-0306
<https://www.microscope.healthcare.nikon.com/>

NIKON INSTRUMENTS EUROPE B.V.
Tripolis 100, Burgenweeshuispad 101, 1076 ER Amsterdam, The Netherlands
phone: +31-20-7099-0000 fax: +31-20-7099-298
https://www.microscope.healthcare.nikon.com/en_EU/

NIKON INSTRUMENTS (SHANGHAI) CO., LTD.
CHINA phone: +86-21-6841-2050 fax: +86-21-6841-2060
(Beijing branch) phone: +86-10-5831-2028 fax: +86-10-5831-2026
(Guangzhou branch) phone: +86-20-3882-0550 fax: +86-20-3882-0580

NIKON CANADA INC.
CANADA phone: +1-905-602-9676 fax: +1-905-602-9953
NIKON FRANCE S.A.S.
FRANCE phone: +33-1-4516-45-16 fax: +33-1-4516-45-55
NIKON GMBH
GERMANY phone: +49-211-941-42-20 fax: +49-211-941-43-22

NIKON INSTRUMENTS S.p.A.
ITALY phone: +39-55-300-96-01 fax: +39-55-30-09-93
NIKON GMBH SWITZERLAND
SWITZERLAND phone: +41-43-277-28-67 fax: +41-43-277-28-61
NIKON UK LTD.
UNITED KINGDOM phone: +44-208-247-1717 fax: +44-208-541-4584
NIKON CEE GMBH
AUSTRIA phone: +43-1-972-6111 fax: +43-1-972-611-140

NIKON SINGAPORE PTE LTD
SINGAPORE phone: +65-6559-3651 fax: +65-6559-3668
NIKON INSTRUMENTS KOREA CO., LTD.
KOREA phone: +82-2-2186-8400 fax: +82-2-555-4415