



Moving Health Forward

Raizer[®] M

User Manual



Raizer[®] M

The Raizer M is a lifting chair that can swiftly and efficiently be assembled around the fallen person, and in just a few minutes raise them to an almost standing position.

Unlike the Raizer II, Raizer M is manually operated with a crank handle.

Contents

1. Indications/Contraindications for Use	04
2. Safety Instructions	05
3. Disposal	05
4. Technical Specifications	06
5. Prior to Use	07
6. Functionality	07
7. Assembly & Operation	07
8. Disassembly	09
9. Maintenance	10
10. Spare Parts & Accessories	10
11. Troubleshooting	11

1. Indications/Contraindications for Use

1.1 Intended Use

This Raizer is designed primarily for use in private homes. If you intend to use the Raizer in other settings, you should contact our dealer for information about service.

It is important to read this manual before using the Raizer.

Never use the Raizer to lift a person if you suspect that the person has been hurt in a way that the lifting procedure may deteriorate the person's well-being.

The Raizer is a mobile lifting chair which helps a lying person up to an almost standing position in a few minutes. The Raizer can be operated by only a single person.

To operate the lifting chair, the Raizer must be assembled around the fallen person. It can then be operated using the crank handle. The fallen person can be raised to a sitting or almost standing position ready for relocation.

The Raizer should only be used to bring a person lying on the floor to a sitting or almost standing position if the person is unable to do so by him-/herself. The person may require relocation from this position. A hygiene cover or a form of textile must be applied to the seat if the person to be lifted is NOT wearing clothes on areas in direct contact with the Raizer.



Movable parts: Be careful not to get crushed. The user manual must be read carefully prior to use. Service inspections must always be undertaken by a qualified service technician. The owner of the device is obliged to maintain it according to the maintenance guide in section 9. It is strictly forbidden to modify the product as this may endanger people's personal safety.



The Raizer's parts may be hot or cold to touch in case they have been stored in the baggage compartment of a car or in direct sunlight. Please consider this before using the device.



Lifting capacity: Max. 150 kg (330.7 lbs)



Do not push or transport the lifting chair while the person is sitting in it. The Raizer is not designed for transport of persons.



Do not stand on the lifting chair. The Raizer is not designed for transport of persons.



Never flush the lifting chair with water and never immerse it in water. General cleaning may only be done using a well-wrung cloth or sponge



Read the user manual thoroughly before using the lifting chair



The lifting chair may become unstable if it is driven too high up so that the front and back legs come too close together (the distance between the wheels must be at least 55 cm/22 in)

2. Safety Instructions

2.1 Avoid Personal Injury



Even though the Raizer comes fitted with various safety features, always use caution if persons or animals are close by, as this may unintendedly lead to the risk of crushing.

Never allow children to play with the Raizer.



The Raizer's parts may be hot or cold to touch in case they have been stored in the baggage compartment of a car or in direct sunlight. Please consider this before using the device.

2.2 Overload

In order to avoid damage to the device in the event of overload (max. 150 kg/330 lbs), the Raizer is fitted with a torque limiter which when triggered halts the lifting chair. In the event of overload, the crank handle will turn without lifting the chair.

If the Raizer has been heavily overloaded and the overload protection has been activated (the crank handle will rotate without engaging), the lifting capacity of the Raizer may be slightly reduced for up to one hour after the occurrence.

2.3 Personal safety

- To avoid personal injury, it is NOT permitted to use the lifting chair when someone or something is at risk of being injured by crushing, cutting, falling, slipping, or similar.
- It is important to ensure that the chair can move without putting anyone or anything at risk.
- Be extra careful when there are children and physically or mentally challenged people on or near the chair, as these groups cannot always be expected to be able to foresee the possible consequences of its movements.
- Never load more on the chair than the 150 kg/330 lbs stated on the loading sign as the maximum load.

2.4 Handling

The Raizer can be transported in the provided packing. The seat can be carried in the turquoise handle. Backrests and legs can be transported separately in the provided packing.

If the Raizer has been purchased with extra storage facilities and handling equipment, please see the guide supplied with the equipment in question.

Do not subject the Raizer to severe knocks or blows as this can affect product functionality.



NEVER use a high-pressure jet to rinse the chair.

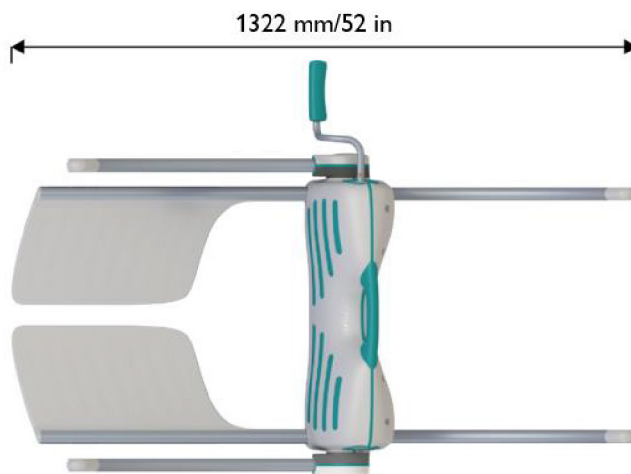
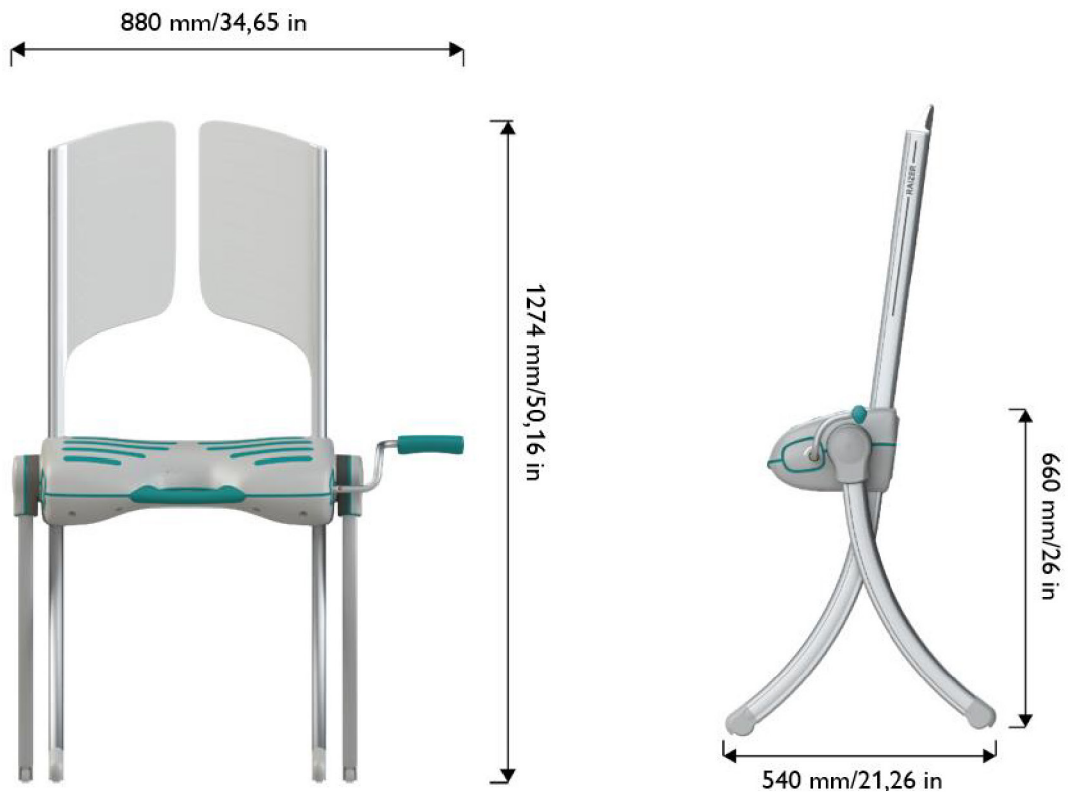
Do NOT immerse the Raizer in water, as this can damage the product.

3. Disposal

It is the duty of the owner to dispose of the product in accordance with the current national, state and local regulations applicable at the time.

4. Technical Specifications

4.1 Dimensional Drawings



4.2 Specifications

Dimensions (L x W x H):	Standing - 540 x 880 x 1274mm Lying - 1322 x 880 x 277mm
Weight:	Seat - 7.2kg Legs + backrest - 5.2kg Total - 12.4kg
Lifting Capacity:	Max. 150kg/330lbs
Lifting Time:	1-4 minutes
Working Temperature:	+5°C to +40°C
Expected Service Life:	Min. 5 years/1000 lifts at max. load
Materials:	Seat - polycarbonate and ABS Backrests - polycarbonate and ABS Legs - aluminium

5. Prior to Use



IMPORTANT: Never use the Raizer to lift a person if you suspect that the person has been hurt in a way that the lift may deteriorate the person's well-being. Always check that the Raizer has no defects before using it.



ALWAYS make sure to place the lifting chair in a horizontal position leaving it ready for the next lift.



A hygiene cover or a form of textile must be applied to the seat if the person to be lifted is NOT wearing clothes on areas in direct contact with the Raizer.



If the product is in any way visibly defective, do not use it. It cannot be considered safe to use or live up to normal usage standard, including quality, condition, and durability. This means that DHG cannot be held responsible for any improper usage or for what may be a consequence of the inappropriate application of the product.

6. Functionality

The Raizer is a mobile lifting chair which raises a fallen person up to an almost standing position in a few minutes. It can be operated by a single helper.

To operate the lifting chair, the Raizer must be assembled around the fallen person. It can then be operated using the crank handle. The fallen person can be raised to a sitting or almost standing position ready for relocation.

The crank handle can operate from both sides of the Raizer. Follow the direction of the arrow to lift a person.

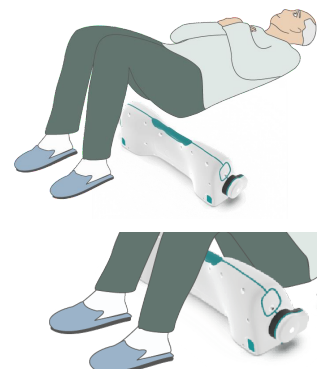
Turn the handle in the opposite direction when driving down the Raizer to store it away.

7. Assembly & Operation

In addition to this user manual, enclosed with your Raizer, you will find a quick guide with easy-to-read directions.

7.1 Positioning the Seat

1. The fallen person must be lying on her/his back. You may place a pillow under the person's head for better comfort.
2. Place the seat on the floor next to the lying person.
3. Lift the thighs to an angle.



4. Carefully push the seat under the thighs

NOTE: The green rubber stripes must be turned against the thighs and buttocks.

7.2 Mounting the Seat Belts

If the seat belt has not already been fitted on the backrest, mount it by pushing the fitting downwards over the backrest profile with a sliding movement. The fitting can be mounted from both ends (see illustrations).

Additional belts can be supplied upon request (optional equipment). Only use the Raizer when the seat belt is fastened around the lying person.



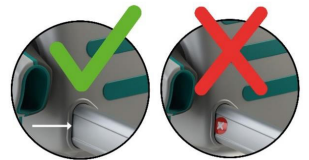
7.3 Mounting the Backrests

NOTE: The 2 backrests are identical and may be fitted in any sequence.

Backrests in the seat

Lift the person carefully by the shoulder, with a light push to the elbow. The back-rest is clicked into position with a sliding movement. A distinct click will be heard when the backrest is fitted correctly.

The red warning symbol must be completely hidden in the slot when the back-rest is mounted correctly.



7.4 Mounting the Legs

NOTE: The 4 legs are identical and may be fitted in any sequence.

Legs in the swivel joint

Insert the leg carefully, until it clicks into place. A distinct click will sound when the leg has been correctly fitted.

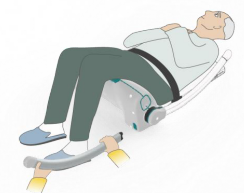
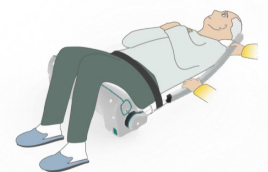
Legs in the bottom of the seat

Insert the leg carefully, until it clicks into place. A distinct click will sound when the leg has been correctly fitted.

Repeat the procedure on the opposite side.



WARNING: The seat belt must always be fixed during lifts. Never lead the seat belt under the rear legs of the Raizer, as this may cause the person to be crushed. (The seat belt clip, however, will break off before any personal damage).



7.5 Mounting the Crank Handle

The crank handle can be mounted from either side. Insert the crank handle from the side most convenient for the helper.

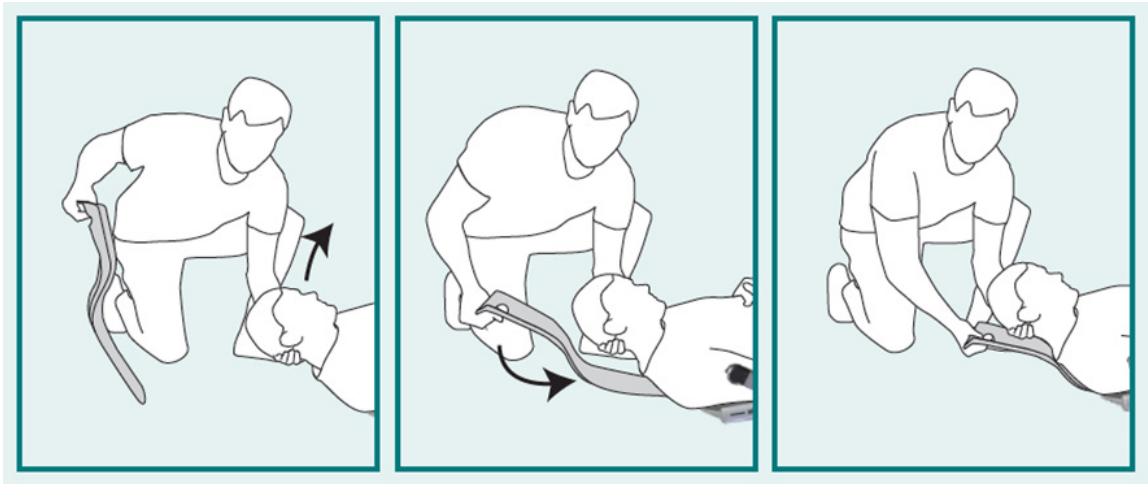
7.6 Headrest

We recommend supporting the neck and head of the person to be lifted as it may be hard to keep the head upright during the lift. In most cases, in connection with the Raizer M lifting chair, we recommend using a headrest* as it relieves the helper from the effort of supporting the head of the fallen person when carrying out the lift. The helper may also offer a supporting hand under the neck of the person during the lifting process.

To apply the headrest, push it under the neck of the lying person so that it slides between the two backrests.

*Supplementary equipment



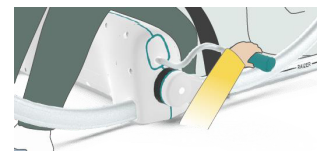



7.7 Alerts prior to lifting

The person's arms must be crossed over the chest and the legs together before initiating the lift. Run the chair up once you have made sure that the person's feet, arms, hands or other extremities will not be endangered by the movements of the lifting chair.


7.8 Performing the lift

1. The Raizer is operated by means of the crank handle. The crank handle can operate from both sides of the Raizer. Follow the direction of the arrow to lift a person. Turn the handle in the opposite direction when driving down the Raizer to store it away.
2. Continue to lift until the person is sitting in an upright position, both feet flat on the floor. Be sure to release the seat belt before the person moves away from the Raizer.



 The lifting chair may become unstable if it is driven too high up so that the front and back legs come too close together (the distance between the wheels must be at least 55 cm/22 in).



 Do NOT push or transport the lifting chair while the person is sitting in it. The wheels are not designed for transport of persons.



 Do NOT stand on the lifting chair

8. Disassembly

 IMPORTANT: Run the Raizer down leaving it ready for the next lift.

Remove the backrests and legs by pulling them out.

Once the Raizer has been disassembled, store away all parts in the provided packing.



9. Maintenance

9.1 Cleaning



IMPORTANT: General cleaning may only be done using a well-wrung cloth or sponge.



You can disinfect your Raizer by using ethanol-based disinfectants (70-85 v/v% alcohol). NEVER use a high-pressure cleaner or running water, as this may cause permanent damage to the lifting chair.

13.2 Service inspections

This Raizer is designed primarily for use in private homes. Using it in private homes, the Raizer will not need to be serviced in its expected lifetime. However, we recommend an inspection and load test prior to expiry of the warranty period (2 years), and subsequently every two years, especially in cases where the Raizer is used frequently (several times a week), to ensure safe and unproblematic use.

10. Spare Parts & Accessories



IMPORTANT: It is important to use only original spare parts. Replacement of parts may only be undertaken by a qualified service technician. The use of non-original spare parts may void the right of complaint. Furthermore, product safety may be compromised, which may pose a risk to personal safety.

10.1 Spare Parts

Description	Product Code	
1. Seat	N/A	
2. Crank handle	105060	
3. Backrests	107373	
4. Legs	107647	
5. Safety belt	107250	

10.2 Accessories

Description	Product Code
Headrest*	107464
Trolley	107273
Triple wheel for trolley, 2 pcs.	103314
Bicycle bracket for trolley, kit	103313
Hygiene cover, disposable, 10pcs	103741
Carry case, incl. quick guide	107746
Cover for seat	107240
Wall bracket kit	107693
Safety belt (extra)	107250

* In most cases, in connection with the Raizer M lifting chair, we recommend using a headrest as it relieves the helper from the effort of supporting the head of the fallen person during the lifting process. If as helper, you are not confident that the person to be lifted is able to keep the head upright during the lift, we recommend always using a headrest.

11. Troubleshooting

Error	Cause	Solution
The Raizer does not run up when the crank handle is turned	The Raizer is overloaded.	Remove the load from the Raizer – or you may try to turn the crank handle more slowly. After an overload, the lifting capacity may be slightly reduced for up to an hour.
The Raizer cannot be assembled when it is lying on the floor.	The Raizer has not been run down after its last usage.	Run the Raizer down to the correct position.



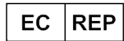
Moving Health Forward

PRESSURE ULCER PREVENTION
SAFE MOVING & HANDLING
SPECIALIST THERAPIES
BATHROOM SAFETY
RENTAL & SERVICE SOLUTIONS



Direct Healthcare Group Ltd
Withey Court, Western Industrial Estate
Caerphilly, United Kingdom
CF83 1BF

T: +44 (0) 800 043 0881
F: +44 (0) 845 459 9832
E: info@directhealthcaregroup.com



Direct Healthcare Group Sverige AB
Torshamnsgatan 35, SE-164
Kista, Sweden

T: +46 (0) 8 557 62 200

Australian Sponsor:
Direct Healthcare Group Pty Ltd.,
68 Howe Street, Osborne Park,
Western Australia 6017

T: +61 (0) 423 852 810



LIT-00156 Issue 02
Date: March 2023

DHG-HEALTHCARE.COM